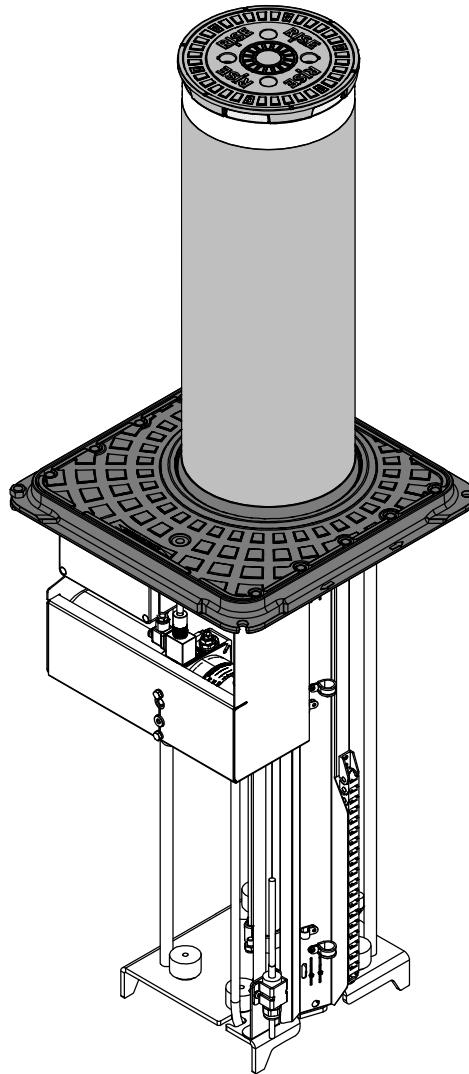


## SPARTACUS

200/600 - 200/800



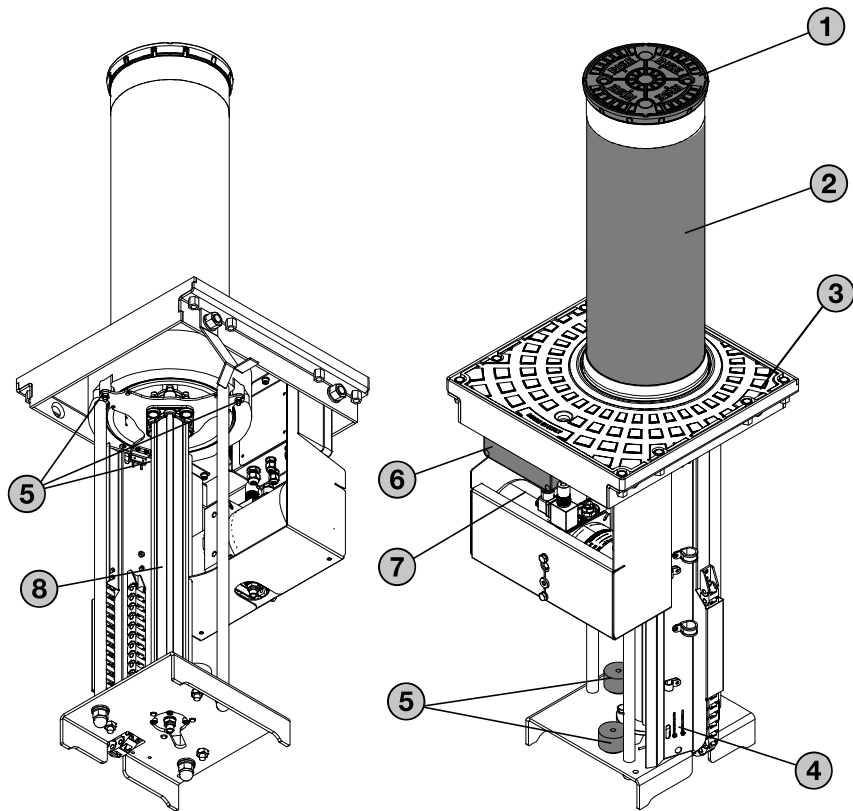
**Manuale di installazione**  
**Installation manual**  
**Installationsanleitung**  
**Manuel d'installation**  
**Manual de instalación**

<b>IT</b>	Dissuasore idraulico automatico
<b>GB</b>	Automatic hydraulic bollard
<b>DE</b>	Dissuasore idraulico automatico
<b>FR</b>	Automatic hydraulic bollard
<b>ES</b>	Automatic hydraulic bollard

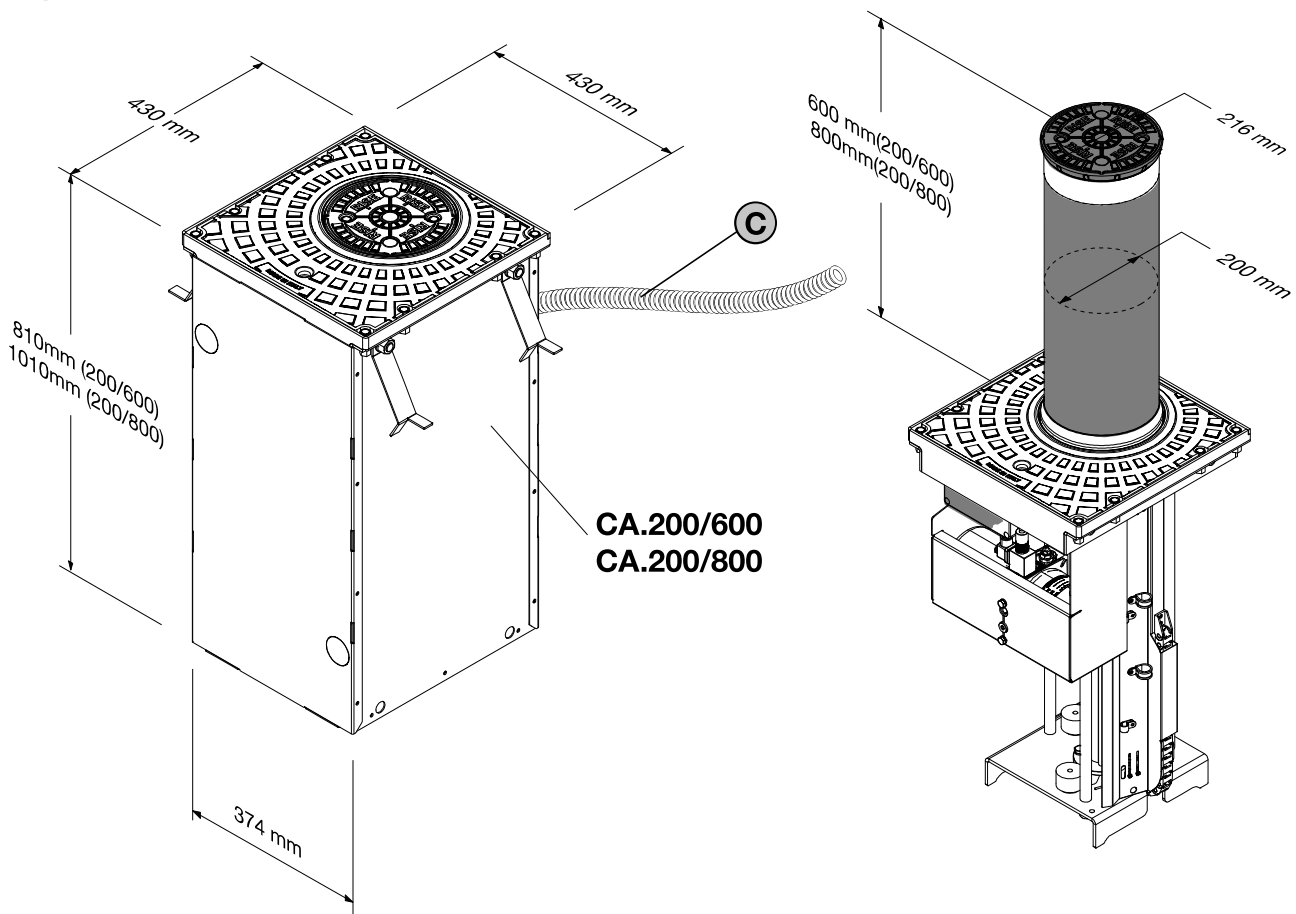
Made in Italy

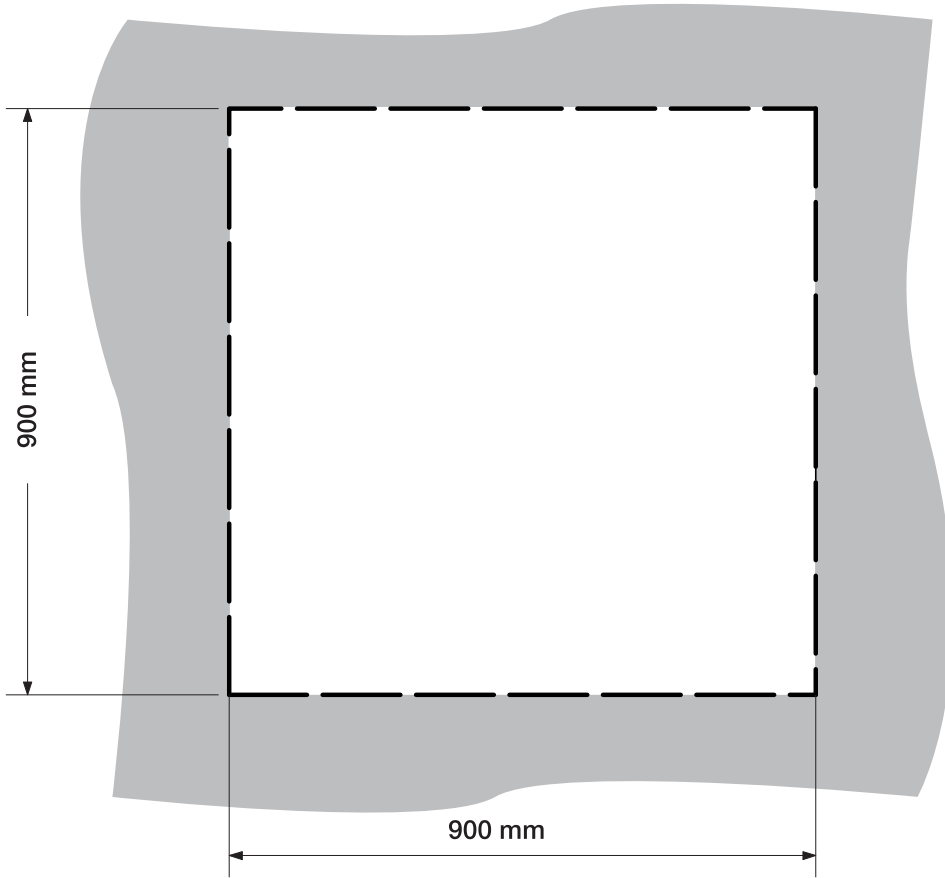
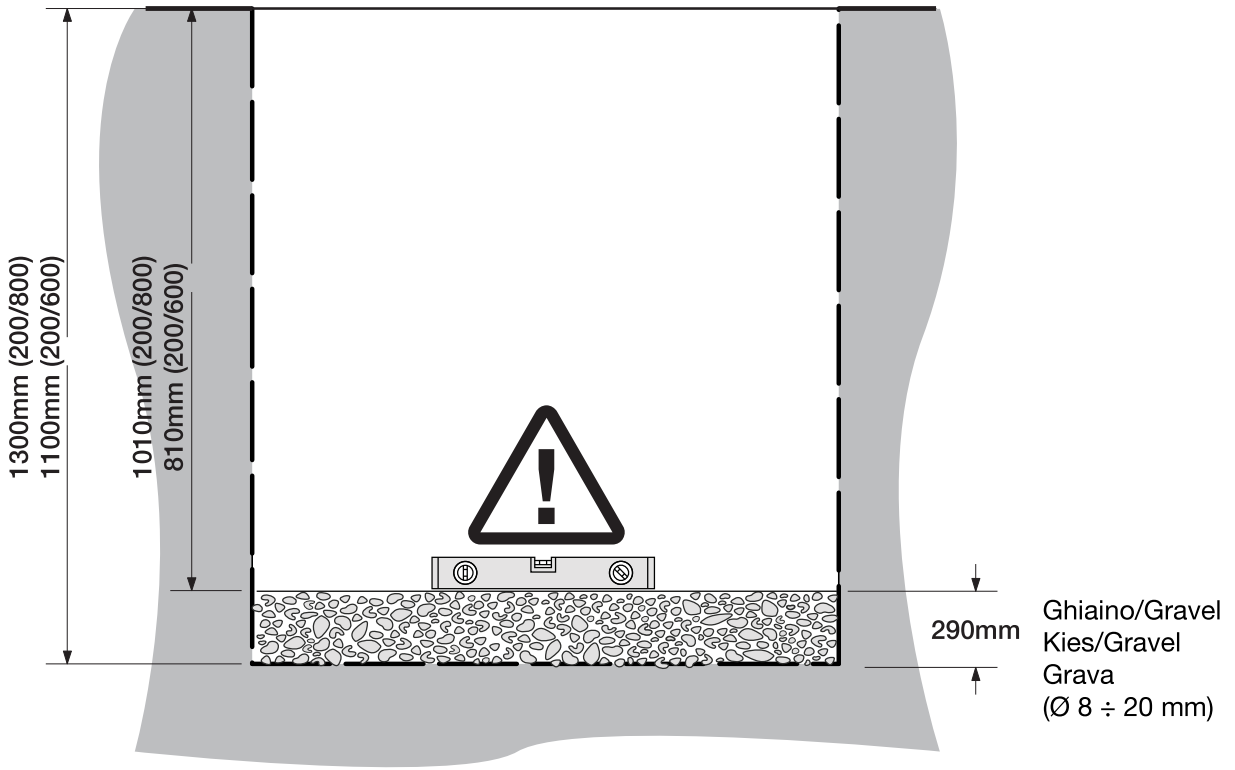


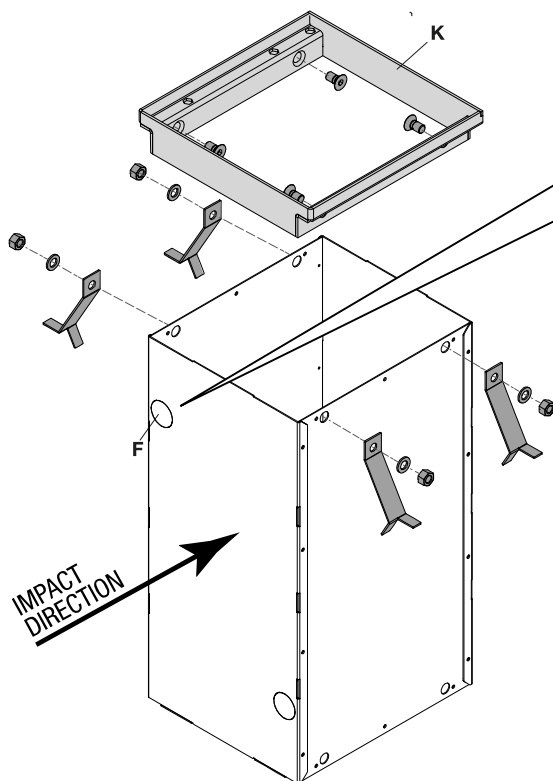
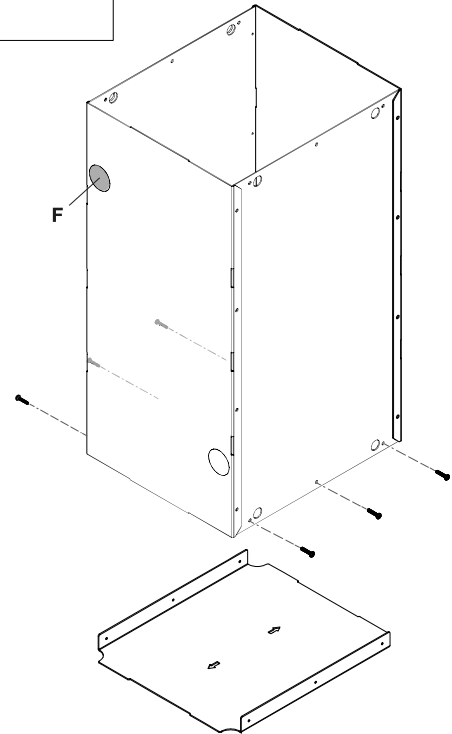
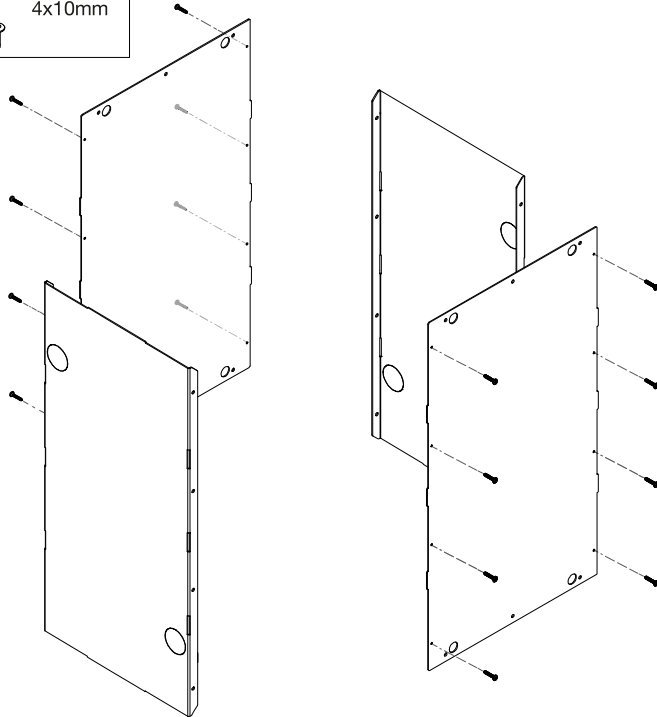
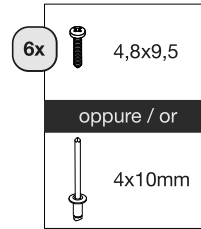
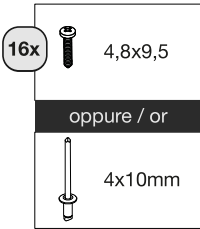
1



2







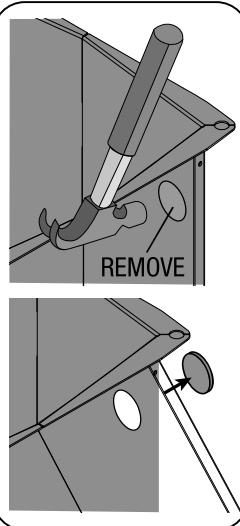
**ATTENZIONE!!** Aprire solo il foro che si trova sul lato opposto alla direzione d'impatto.

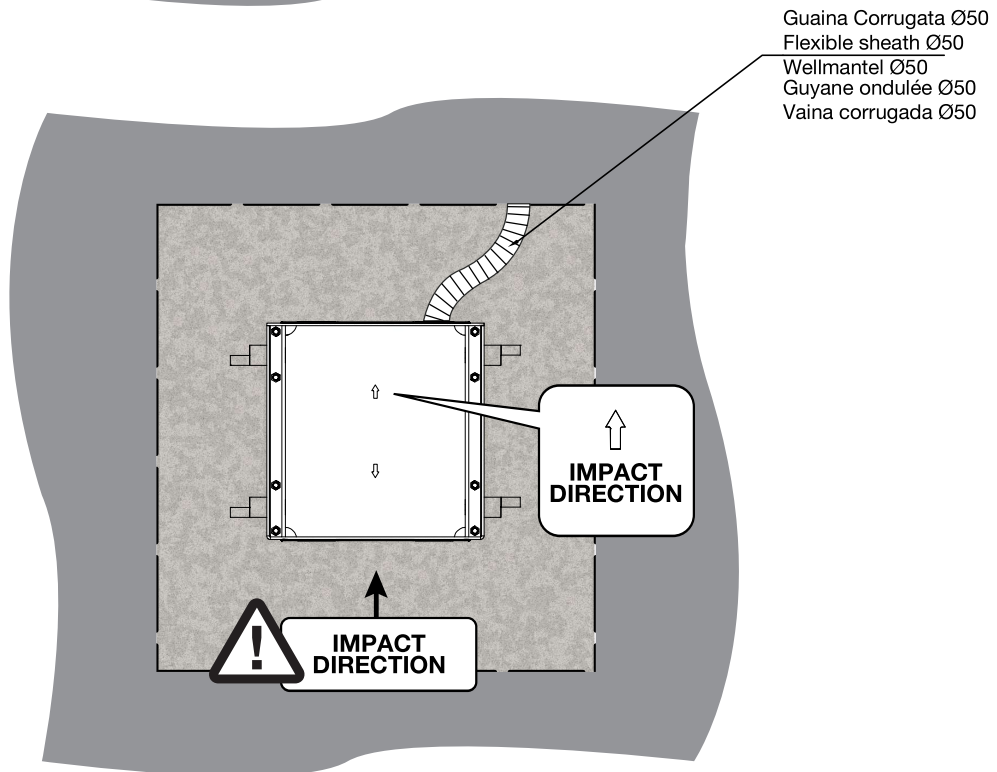
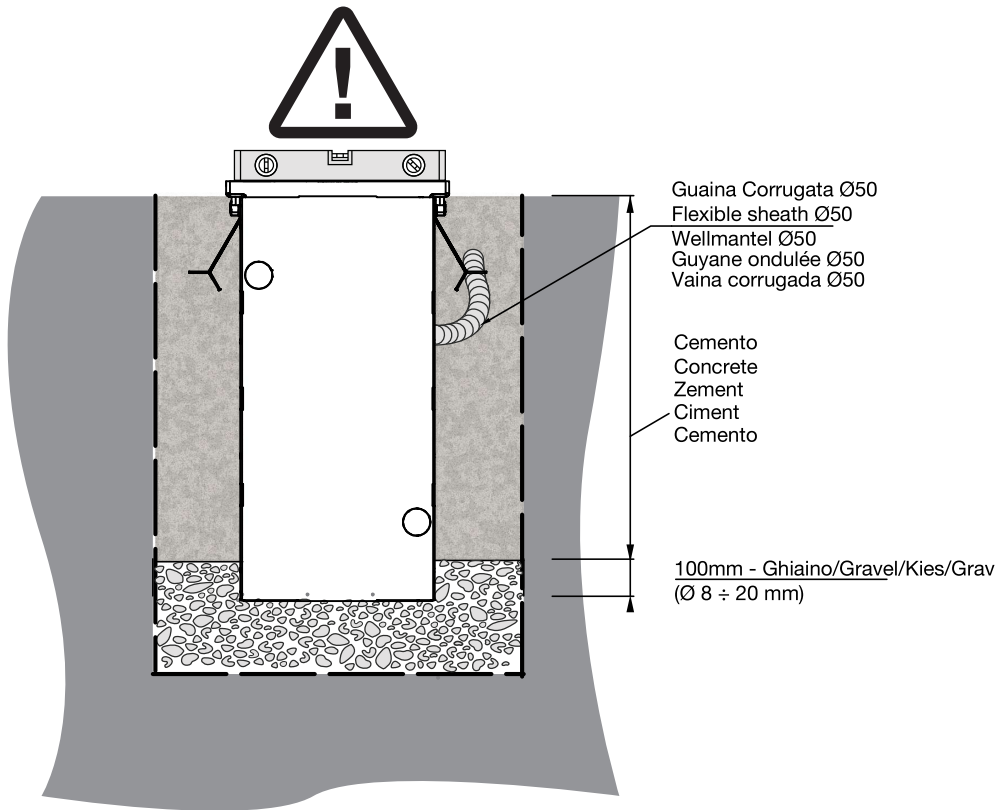
**CAUTION!** Only open the hole on the side opposite the direction of impact.

**VORSICHT!** Öffnen Sie das Loch nur auf der Seite, die der Aufprallrichtung entgegengesetzt ist.

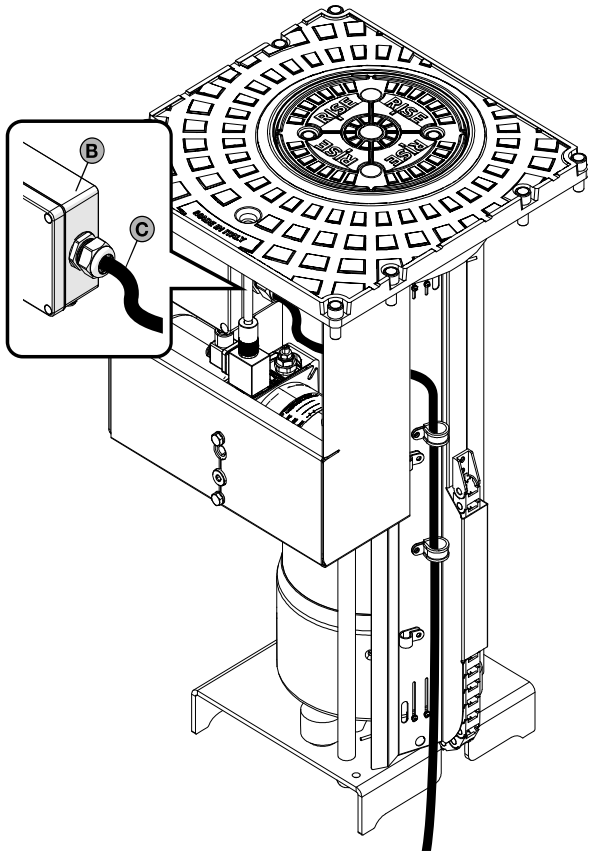
**ATTENTION !** N'ouvrez le trou que du côté opposé à la direction de l'impact.

**¡ATENCIÓN!** Abra el orificio sólo en el lado opuesto a la dirección del impacto.

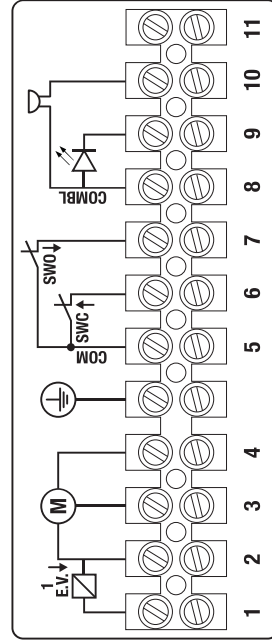




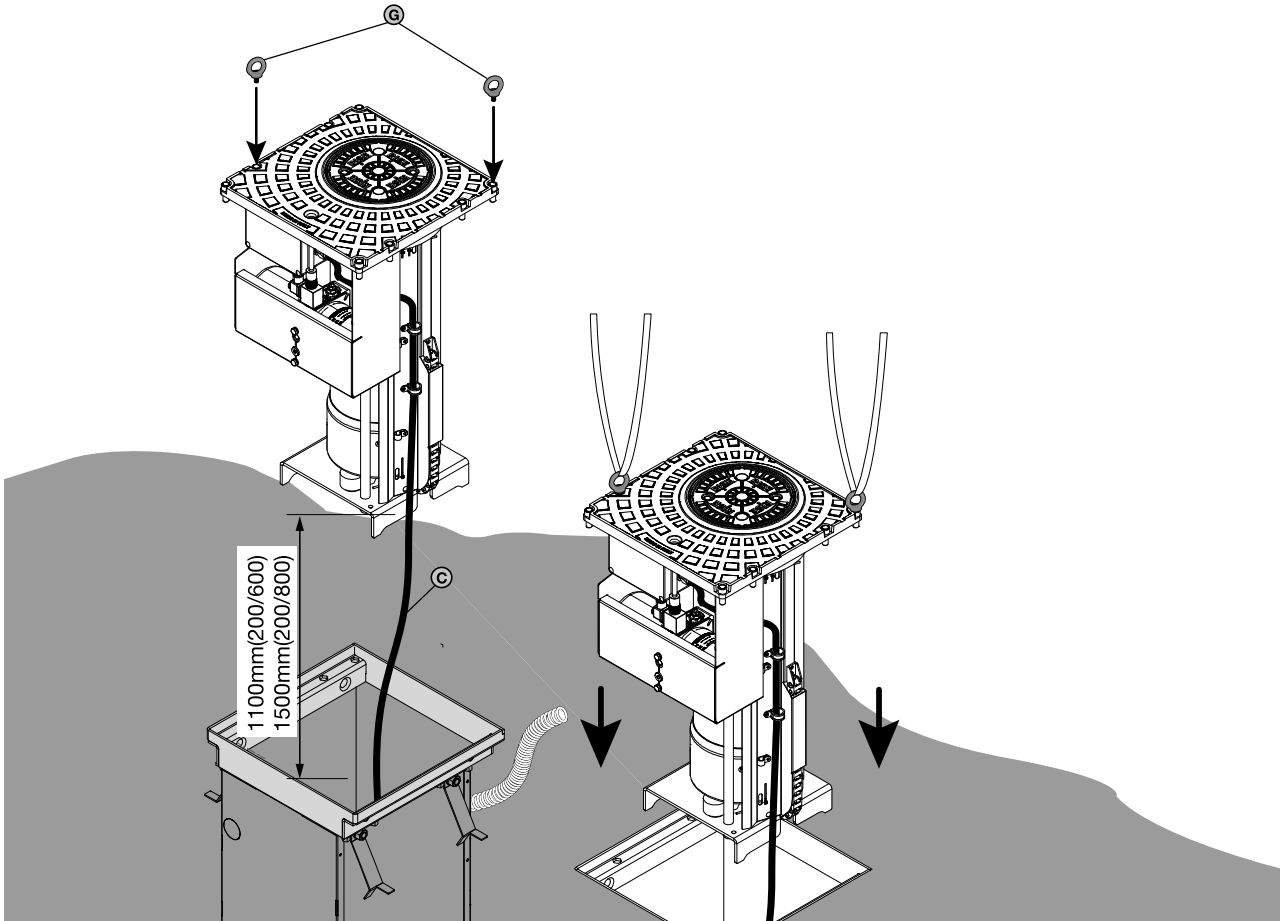
6



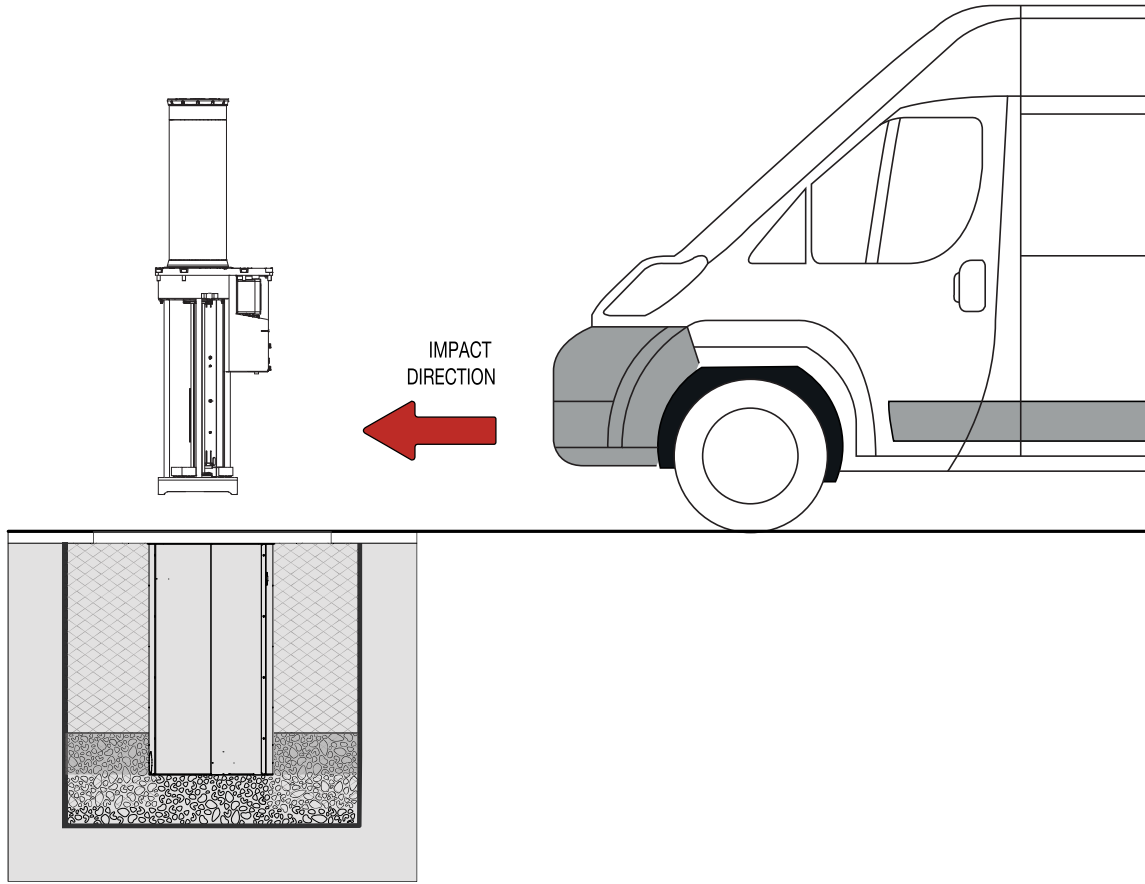
7



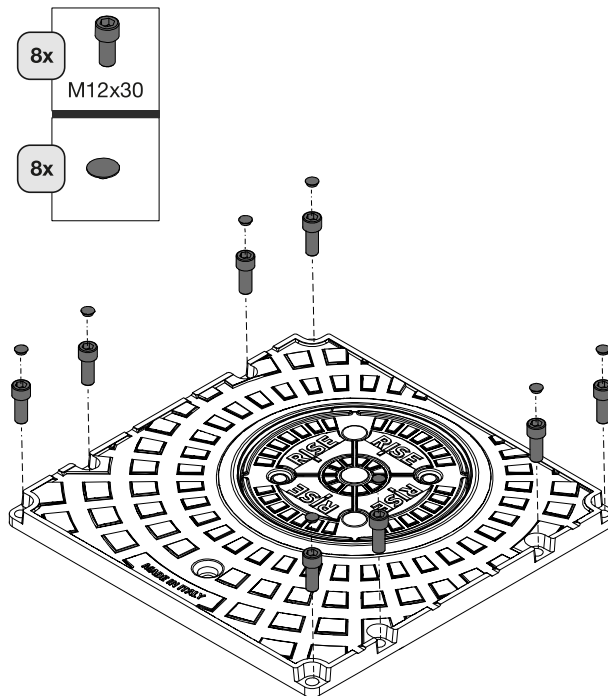
8



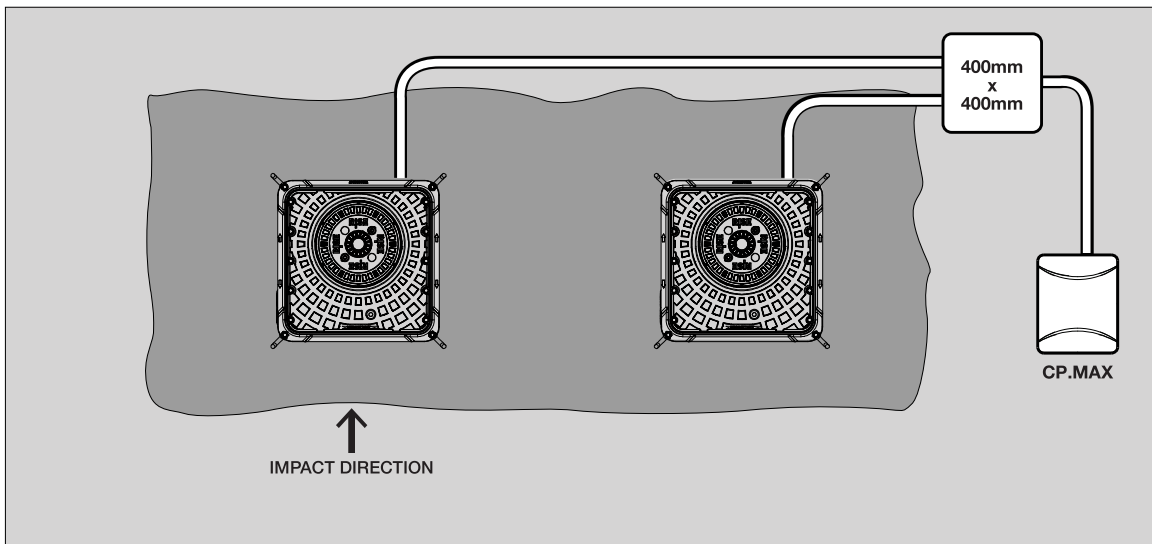
9



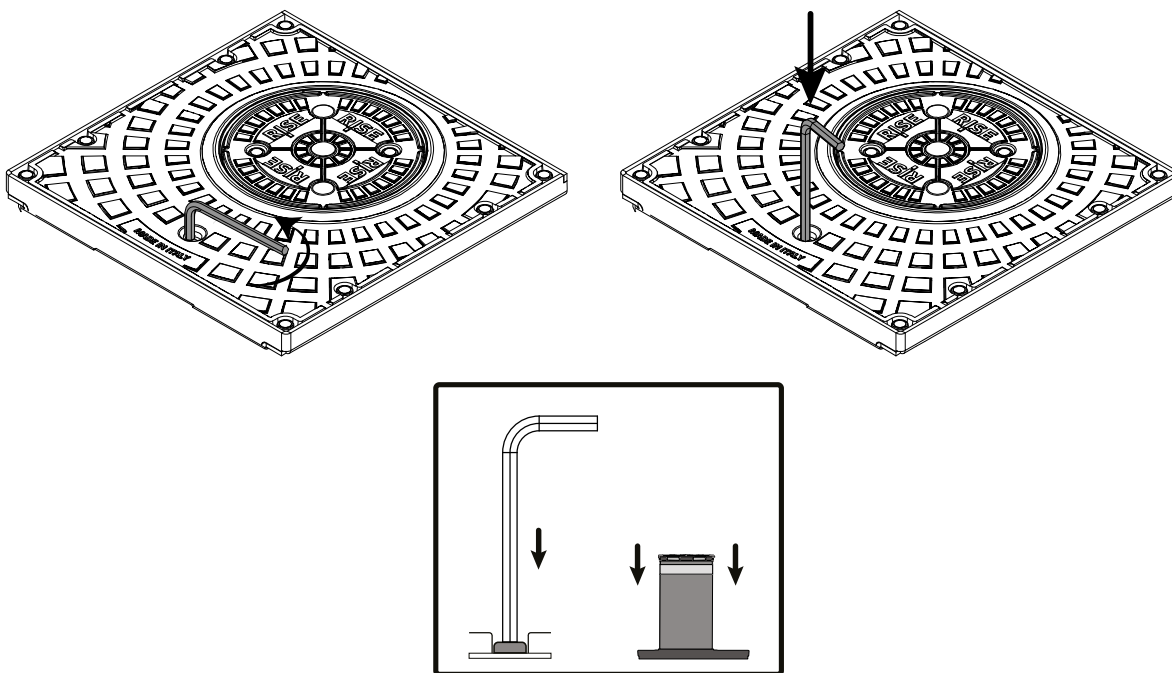
10



11



12





## WARNING

### SAFETY STANDARDS

**ATTENTION: Carefully read the instructions manual in all of its parts and keep it in a safe location for any future consultation. Not following the standards and warnings included in the present manual or an incorrect installation may damage persons or property.**

- This product has been designed and manufactured exclusively for the use indicated in this documentation. Any non-conforming use may damage the product or be a source of danger for persons and/or property.
- Do not install the product in an explosive atmosphere: the presence of flammable gasses or vapours is a source a serious danger.
- Installation must be completed in observance of current standards.
- For installation in countries outside of the EEC, besides national reference regulations, the above mentioned standards and warnings must be obeyed in order to obtain a suitable level of safety.
- Verify that the system has been earthed according to Good Practice standards and the metal parts must be connected to it.
- For each system, a suitable sign is recommended.
- Do not stand in the movement area of the bollard.
- Do not leave packaging materials (plastic, polystyrene, wood ...) within reach of children because they may be a potential source of danger.
- Do not allow children to play with the commands or in proximity of the bollard.
- In the case of functioning anomalies do not attempt to repair the fault but contact a specialised technician. Only use original RISE Srl accessories.
- Do not modify any components that are part of the RISE system. Any modification, alterations or tampering with the RISE system, or the use of non original RISE accessories, will cause the product warranty to lapse and RISE Srl declines any responsibility with regards to safety and proper system operation.
- The installer must provide the user with all information necessary for system use and maintenance along with manual and emergency manoeuvres. He must deliver them and the user must request the booklet containing warnings and use and maintenance standards.
- The bollard must be completely lowered before transiting through the controlled passage area.
- **Anything that is not specifically planned for in these instructions is not allowed.**

### ATTENTION: PRECAUTIONS FOR USE

In case of flooding or significant precipitation that causes obvious drainage problems, avoid using the bollard until normal conditions have been restored.

Maintenance to bollards, control units and the entire system must be completed exclusively by specialised technical personnel. The RISE bollards do not require any special maintenance, periodically checking that the area around the bollard is sufficiently clean and, as needed, the gaskets at the base of the bollard should be replaced. Programmed routine controls of the entire system are recommended only in cases of intense product use in order to ensure correct operation and long product life.

### DISPOSAL

If the bollard is withdrawn from service, the current laws and regulations in force concerning the separate waste disposal and the recycling of the various components (metals, plastics, electric cables etc.) must be respected; it is advisable to contact your installer or a specialised company, authorised for the purpose.

TECHNICAL DATA	MODELS			
	200/600	200/800	200/600 - I	200/800 - I
Cylinder height	600	800	600	800
Cylinder diameter	200mm			
Cylinder thickness	6mm			
Cylinder material	S355JR Steel	S355JR Steel	AISI 316 Stainless Steel	AISI 316 Stainless Steel
Ascent time	3 seconds	4 seconds	3 seconds	4 seconds
Descent speed	3 seconds	4 seconds	3 seconds	4 seconds
Supply	230V 50Hz (versions with special power supply on request)			
Power consumption	550W			
Hydraulics	integrated			
Load class according to EN 124	D250 (25 tonnellate)			
Manual lowering in case of blackout	Manual release			
Automatic lowering in case of blackout	Optional			
Obstacle detection in ascent	Optional			
Capacitor	25 µF			
Daily cycles	3500			
Total cycles	3000000			
Resistance to breakthrough	35.000 J			
Impact resistance	150.000 J			
Operating temperature	-40°C ÷ +60°C for temperatures below -10°C (the optional heater accessory must be used)			
Degree of protection	IP67			
Weight (without foundation box)	70 kg	78 kg	74 kg	83 kg

### General information

Automatic hydraulic bollard.

Available with a painted steel tube or lined with an electropolished AISI 316 stainless steel jacket.

The acoustic buzzer, the heater for particularly cold climates and a pressure switch that prevents the tube exiting if there are people or objects above it are available as optional accessories.

The MAX.CP control unit enables the management of two SPARTACUS bollards for the protection of particularly large entrances.

### Description

Figure 1 shows the main parts of the automation:

- 1 Head with flashing LED
- 2 200 mm diameter cylinder
- 3 Well lid
- 4 Adjustable magnetic limit switch sensor
- 5 Stop buffers
- 6 Electrical connection junction box
- 7 Hydraulic power unit
- 8 Hydraulic cylinder

### Dimensions

Figure 2 shows the main overall dimensions, foundation box included. In the foundation box must be broken:

- 1 Hole for 50 mm corrugated sheath for the passage of connection cables (ref. C)

### Preparation of the excavation

Referring to Figure 3, prepare an excavation of 900x900 mm with a depth of 1300 mm(version 200/800) or 1100mm(version 200/600). Prepare a gravel bed of 290 mm, we recommend gravel with a grain size of 8/20 for good drainage.

Make sure that the gravel is well compacted.

**Pay attention to the dimensions and levelling of the foundation.**

### Drainage test

Before inserting the foundation box in the excavation, carry out the test described below, which is **INDISPENSABLE** for assessing the level of permeability of the soil and taking the most suitable measures to ensure that water does not stagnate in the excavation but is absorbed as quickly as possible.

Pour 40 litres of water into the excavation and wait 30 minutes.

If the water takes longer than 30 minutes to be absorbed, despite the drainage system, it will be necessary to lay pipes to channel the water into a tank and, if necessary, to pump it out using an electric pump.

### Foundation box assembly.

Assemble the CA.200 foundation box referring to Fig. 4.

Fasten the individual parts, using the self-tapping screws 4.8x9.5 supplied.

Alternatively,  $\varnothing$  4x10 mm rivets can be used, which are also supplied. Open the  $\varnothing$  50 mm hole for the passage of the corrugated cable duct. Only open the highlighted hole (F) which refers to the direction of impact of the casing.

Then fasten the frame K to the casing.

### Laying the foundation box

Proceed with the insertion of the foundation box (Fig. 6) inside the excavation, checking that:

- the positioning dimension is correct
- the crate is perfectly horizontal (use a level)
- the expected direction of impact is correct.

Prepare the passage of the 50mm  $\varnothing$  corrugated sheath for the passage of the connection cable to the control unit.

Add another 100mm gravel.

The concrete must be appropriately compacted (regarding the level of the cast, consider the possible thickness of the floor).

The concrete must be properly compacted, taking into account the possible thickness of the pavement in the casting level.

Wait a few days for the concrete to set before installing the bollard in the foundation box, protecting the box with a waterproof sheet in the meantime.

### Electrical connections.

With reference to figure 6, prepare the electrical connections using a 16x1.5mm<sup>2</sup> multipolar cable for all models.

**Only use cables that are suitable for the type of use required by the installation and that comply with current local regulations.**

Block the cable with two ties.

Inside shunt box B, there is terminal board (Fig.7) for connection of the ramp to the MAX.CP control unit.

For further information, refer to the instructions supplied with the MAX.CP control unit.

### Installation of the bollard.

As shown in figure 8, to allow the bollard to be inserted inside its foundation box, it is necessary to provide an extra connecting cable (ref. C) from the base of the bollard to the beginning of the foundation box.

Use the two G eyebolts supplied to lift the bollard and install it inside the foundation box, paying attention to the cable as it descends.

Figure 9 shows the insertion position of the bollard in the foundation box in relation to the intended direction of impact.

Secure the bollard to the foundation box using the 8 M12x25 stainless steel screws, as shown in Figure 10.

### Installation of two bollards

In the case of particularly large gates, it is possible to install two or more bollards as shown in figure 11.

The MAX.CP control unit is able to pilot two SPARTACUS bollards.

### Emergency manual release

If necessary, the bollard can be lowered manually to allow vehicles to pass.

As indicated in Figure 12, unscrew the Allen screw highlighted with a 10mm key, remove the screw and exert pressure downwards, the ramp will start to lower.

The unlocking system does not require resetting.

## Declaración CE de conformidad (DOC)

Nombre del productor: **Rise S.r.l**  
Dirección: **Via Capitello, 45 - 36066 Sandrigo (VI) - Italia**  
Teléfono: **+39 0444 751401**  
E-mail: **info@riseweb.it**

*Declara que el documento ha sido emitido bajo la propia responsabilidad y pertenece al siguiente producto:*

Modelo/Tipo: **Bolardo**  
Tipo de producto: **SPARTACUS 200/600 - SPARTACUS 200/800 - SPARTACUS 200/600-I - SPARTACUS 200/800-I**

*El producto indicado arriba cumple con las disposiciones establecidas por las siguientes directivas:*

**Directiva 2014/30/EU**  
**Directiva 2011/65/EU**  
**Directiva 2014/35/EU**

*Han sido aplicadas las normas armonizadas y las especificaciones técnicas que se describen a continuación:*

**EN 61000-6-2:2005, EN 61000-6-3:2007 + A1:2011**  
**EN 60335-1:2012 + A11:2014; EN 60335-2-103:2015**

Benincà Luigi, Responsabile legale.  
Sandrigo, 28/06/2022.



## UKCA Declaration of Conformity

Manufacturer's name: **Rise S.r.l**  
Postal Address: **Via Capitello, 45 - 36066 Sandrigo (VI) - Italia**  
Telephone number: **+39 0444 751401**  
E-mail address **info@riseweb.it**

*Declare that the DOC is issued under our sole responsibility and belongs to the following product:*

Model/Product: **Bollard**  
Type: **SPARTACUS 200/600 - SPARTACUS 200/800 - SPARTACUS 200/600-I - SPARTACUS 200/800-I**

*The object of the declaration described above is in conformity with the relevant Union harmonization legislation:*

**Electromagnetic Compatibility Regulation 2016**  
**Equipment regulation 2012**  
**Electrical Equipment (Safety) Regulations 2016**

*The following harmonized standards and technical specifications have been applied:*

**ETSI GB 300 220-1 V3.1.1**  
**ETSI GB 300 220-2 V3.1.1**  
**ETSI GB 301 489-1 V2.1.1**  
**ETSI GB 301 489-3 V2.1.1**  
**GB 61000-6-2:2005, GB 61000-6-3:2007 + A1:2011**  
**GB 60335-1:2012 + A11:2014; GB 60335-2-103:2015**  
**50581:2012**

Benincà Luigi, Responsabile legale.  
Sandrigo, 28/06/2022.

