



BOB50M BOB5024E

LINEAR WORM SCREWS

patented FACE gears
full metal mechanics
gear and female screw in bronze
personalised release key

up to 5.0 m



CONTROL UNITS:

BOB50M	—	BRAINY	140
	—	HEADY	141
BOB50ME	—	BRAINY	140
BOB50ME.DK	—	BRAINY	140
BOB5024E	—	BRAINY24 ^{PLUS}	148
	—	BRAINY24	149



NEW VERSION AVAILABLE
BOB50ME.DK



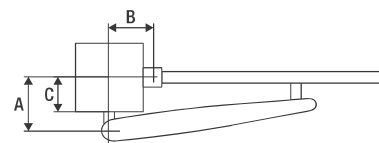
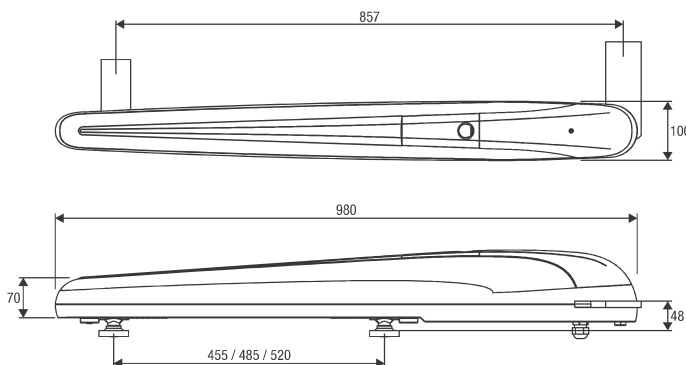
Reliable, quiet, and quick to install geared motor, thanks to its 2 adjustable mechanical stops for opening and closing. Available in the 230 Vac and 24 Vdc versions. Rolled ball screws Ø 20 mm. Easy access release from above.

230 Vac

- Irreversible 230 Vac electromechanical geared motor
- Available in two versions: one with an easily adjustable limit switch (BOB50M) the other with encoder (BOB50ME)
- The encoder device in the BOB50ME version ensures crush prevention and precision in the gate moving phases

24 Vdc | intensive use

- Irreversible 24 Vdc electromechanical geared motor for intensive use, equipped with encoder
- The encoder device ensures maximum safety and precision in the gate moving phases
- Amperometric sensor obstacle detection system to prevent crushing
- Optional battery powered operation



A (mm)	B (mm)	C (mm)
150-225	150-225	90-155

**B5.SR**

Bracket to attach with screws.

**B.P**

Screw-on plate.

**BOB.SN**

Rear joint for sloping openings.

**DU.V96**

12 Vac/dc vertical electric lock, supplied with counterplate. Permits internal/external release.

**DU.V90**

12 Vac/dc horizontal electric lock, supplied with counterplate. Permits internal/external release.

**DU.9990**

Covering plate for DU.V90.

**E.LOCK**

230 Vac vertical electric lock, supplied with counterplate.

**E.LOCKSE**

Extended cylinder for E.LOCK electric lock. It allows unlocking gates up to 55mm-thick from the outside.

**CABLE.24E**

Cable reel with 5 conductors (2 for motor, 3 for encoder) for connecting the encoder device in the 24 Vdc versions. L= 100 m.

**XLB.CB**

Battery box fitted with universal bracket and cables. IP54.

**DA.LB**

Galvanized column for outdoor installation of LB box.

**BRAINY24.CB-SW**

Accessory equipped with 1.2 Ah batteries and support bracket.

**BRAINY24.CB**

Accessory with CBY.24V battery charger, 1.2 Ah batteries and support bracket.

TECHNICAL DATA	BOB50M*	BOB50ME*	BOB50ME.DK	BOB5024E*
Motor supply	230 Vac (50-60Hz)	230 Vac (50-60Hz)	230 Vac (50-60Hz)	24 Vdc
Max absorbed current	1.4 A	1.4 A	1.4 A	6.7 A
Max Thrust	3500 N	3500 N	3500 N	2200 N
Opening time	26"	26"	26"	21"
Duty cycle	30%	30%	30%	intensive use
Standard stroke	455 mm	455 mm	455 mm	455 mm
Max stroke	520 mm	520 mm	520 mm	520 mm
Protection level	IP44	IP44	IP44	IP44
Encoder	NO	YES	YES	YES
Operating temperature	-20°C /+50°C	-20°C /+50°C	-20°C /+50°C	-20°C /+50°C
Leaf max dimension	5 m	5 m	5 m	5 m
Weight	11.6 kg	11.6 kg	11.6 kg	10.2 kg
Items no. per pallet	30	30	30	30

* Available in 115 VAC version