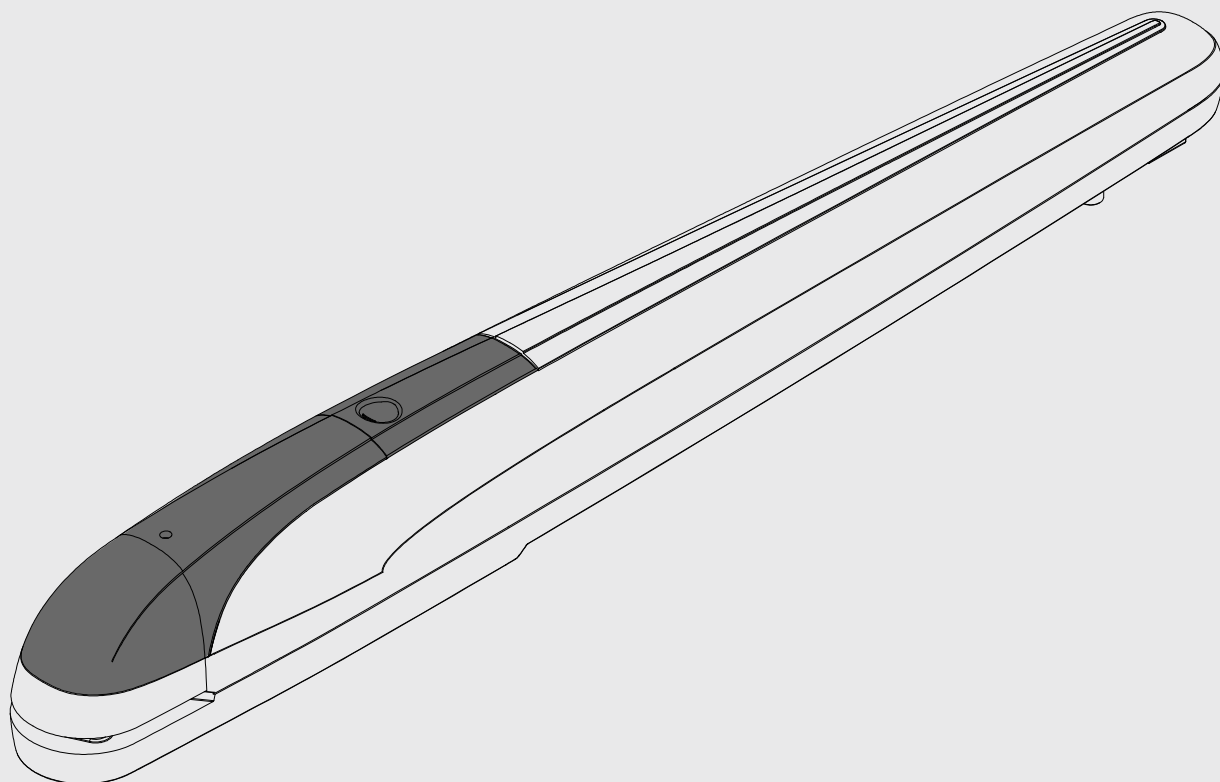


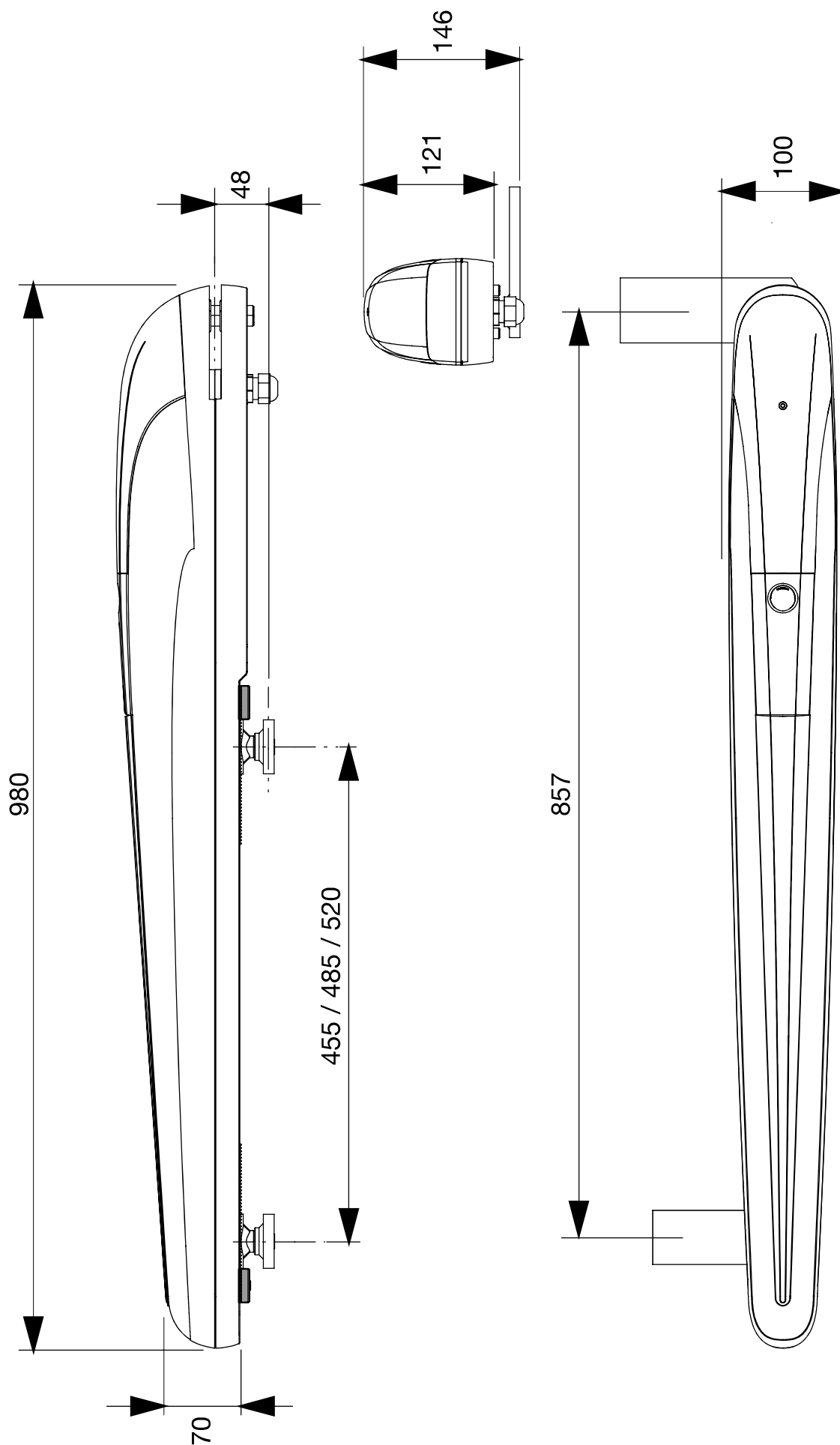
BOB 50M BOB 50ME



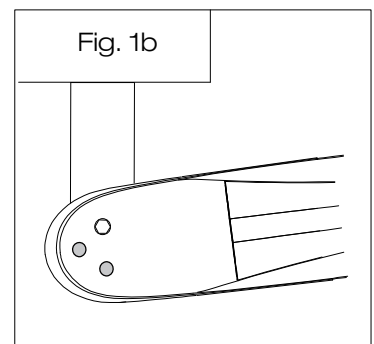
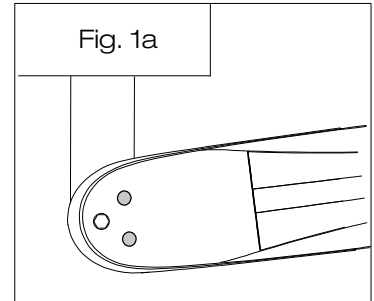
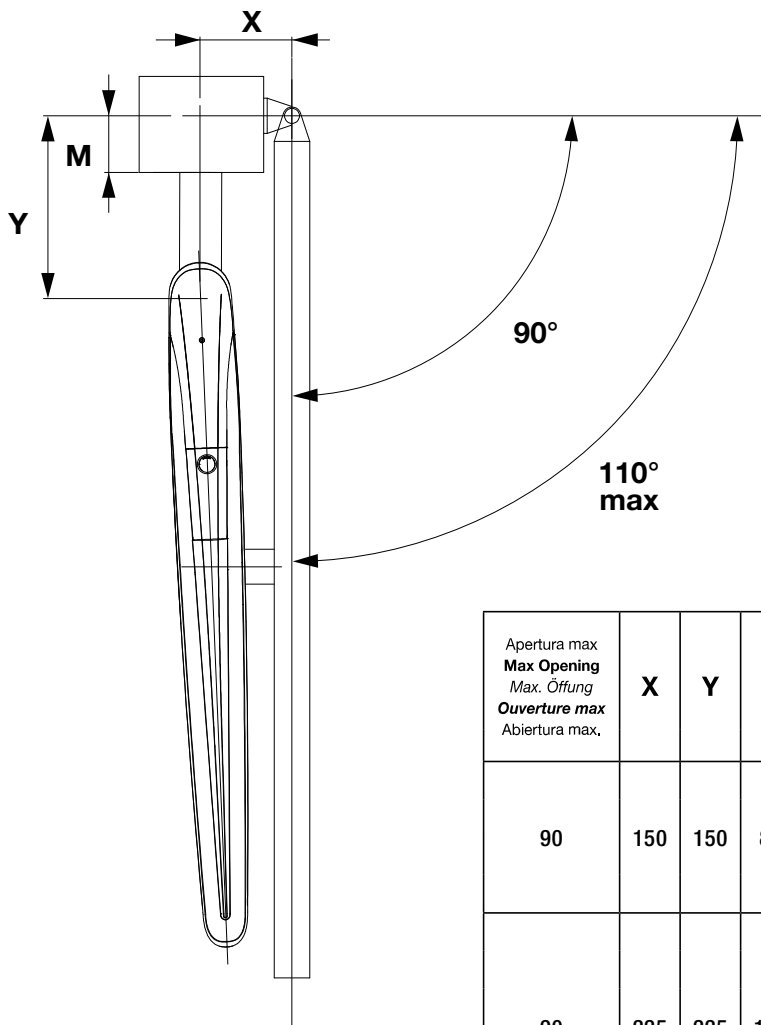
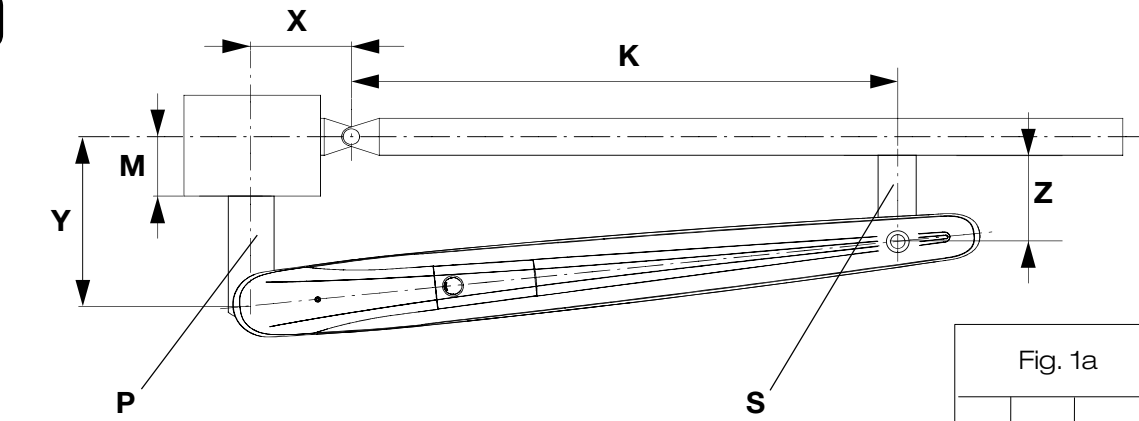
BENINCA[®]
TECHNOLOGY TO OPEN



Dimensioni d'ingombro / Overall dimensions / Abmessungen
Dimensions d'encombrement / Dimensiones exteriores / Wymiary gabarytowe



1

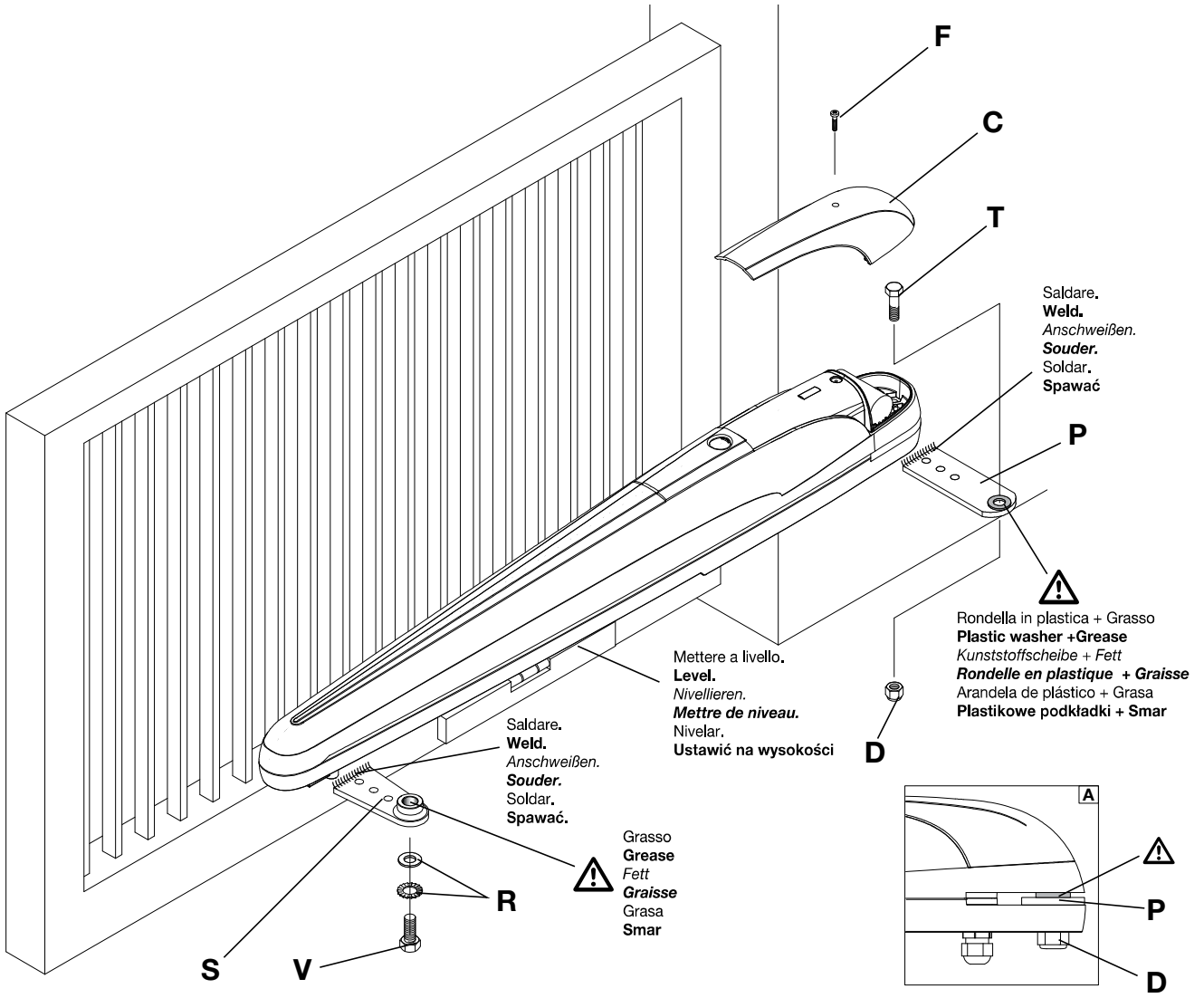


M = +20mm / K = -10mm

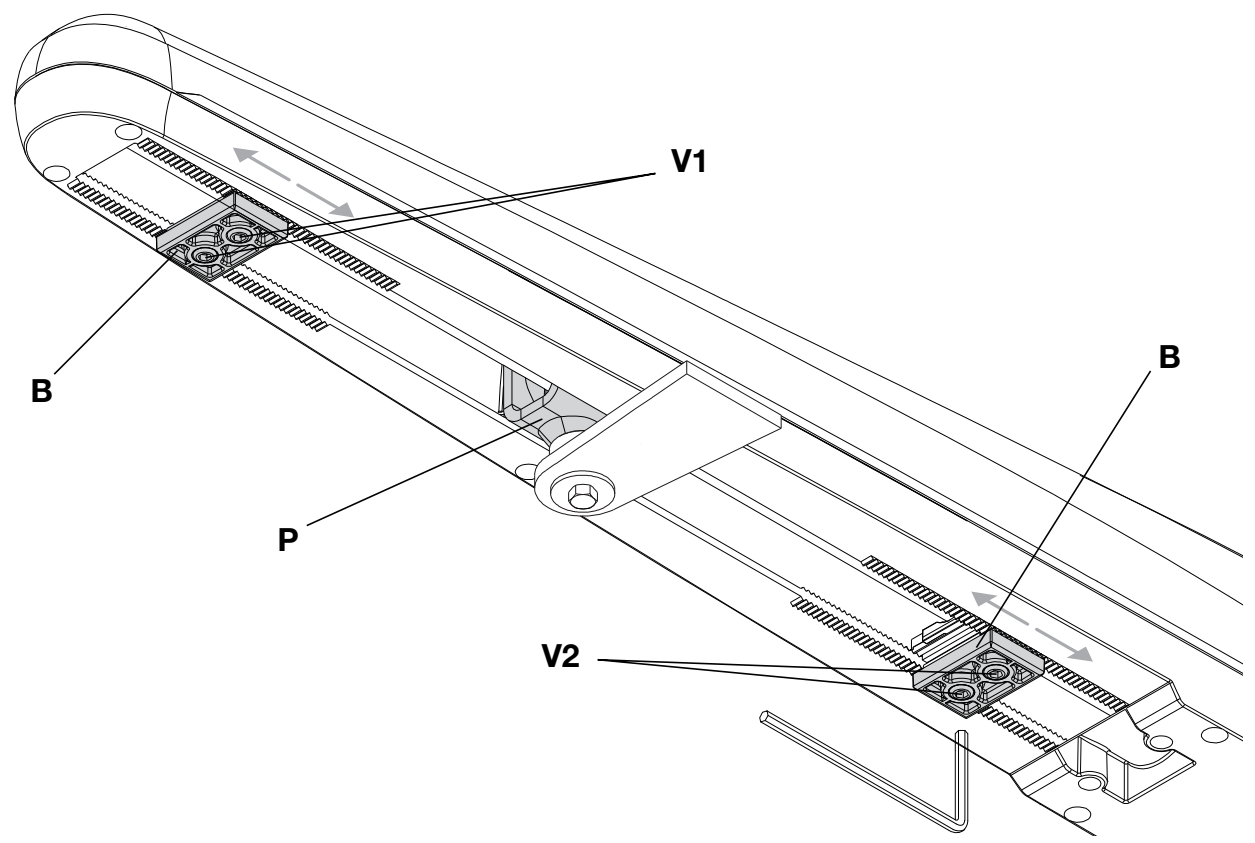
Apertura max Max Opening Max. Öffung Ouverture max Abiertura max.	X	Y	Z	K	M* max.	Tempo apertura Opening time Öffnungszeit Temps d'ouverture Tiempo de abiertura Prędkość kątowna (90°)	Dimensioni max anta Max wing dimensions Max Flügelmasse Dimens. max de la porte Dimens. max de la hoja	
							L (m)	P (kg)
90	150	150	80	695	90	25"	2,5	450
							3	400
							3,5	350
							4*	300
90	225	225	140	625	155	38"	2,5	600
							3	550
							3,5	500
							4*	400
							4,5*	350
100	200	200	115	650	130	34"	2,5	600
							3	550
							3,5	500
							4*	400
							4,5*	350
110	175	175	95	680	110	30"	2,5	450
							3	400
							3,5	350
							4*	300

- * Consigliabile l'utilizzo di elettroserratura
- * **It is advisable to use an electric lock**
- * Wir empfehlen den Einsatz eines Elektroschlusses
- * **On suggère l'utilisation d'une serrure électrique**
- * Aconsejado el empleo de la cerradura eléctrica
- * **Zaleca się zainstalowanie zamka elektrycznego**

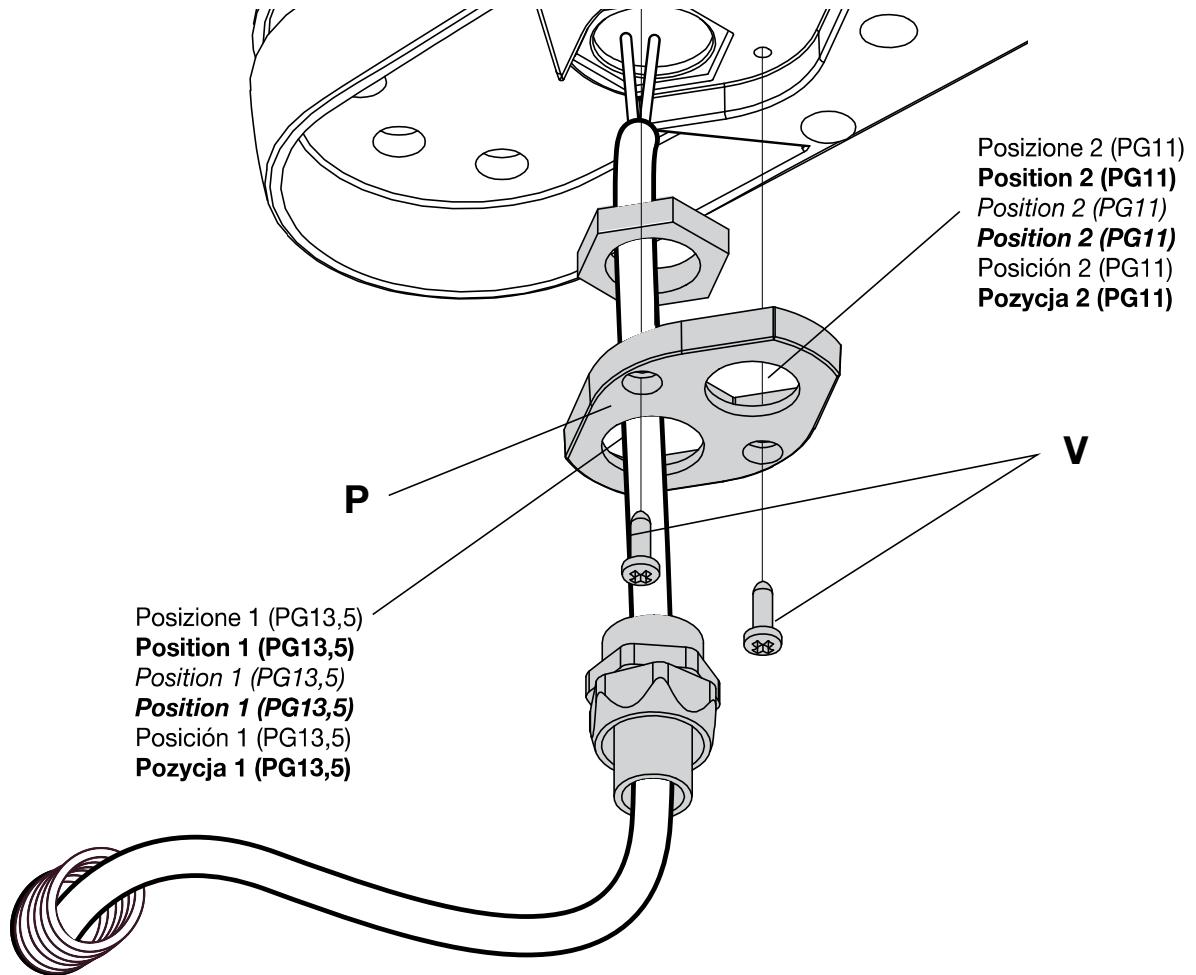
2



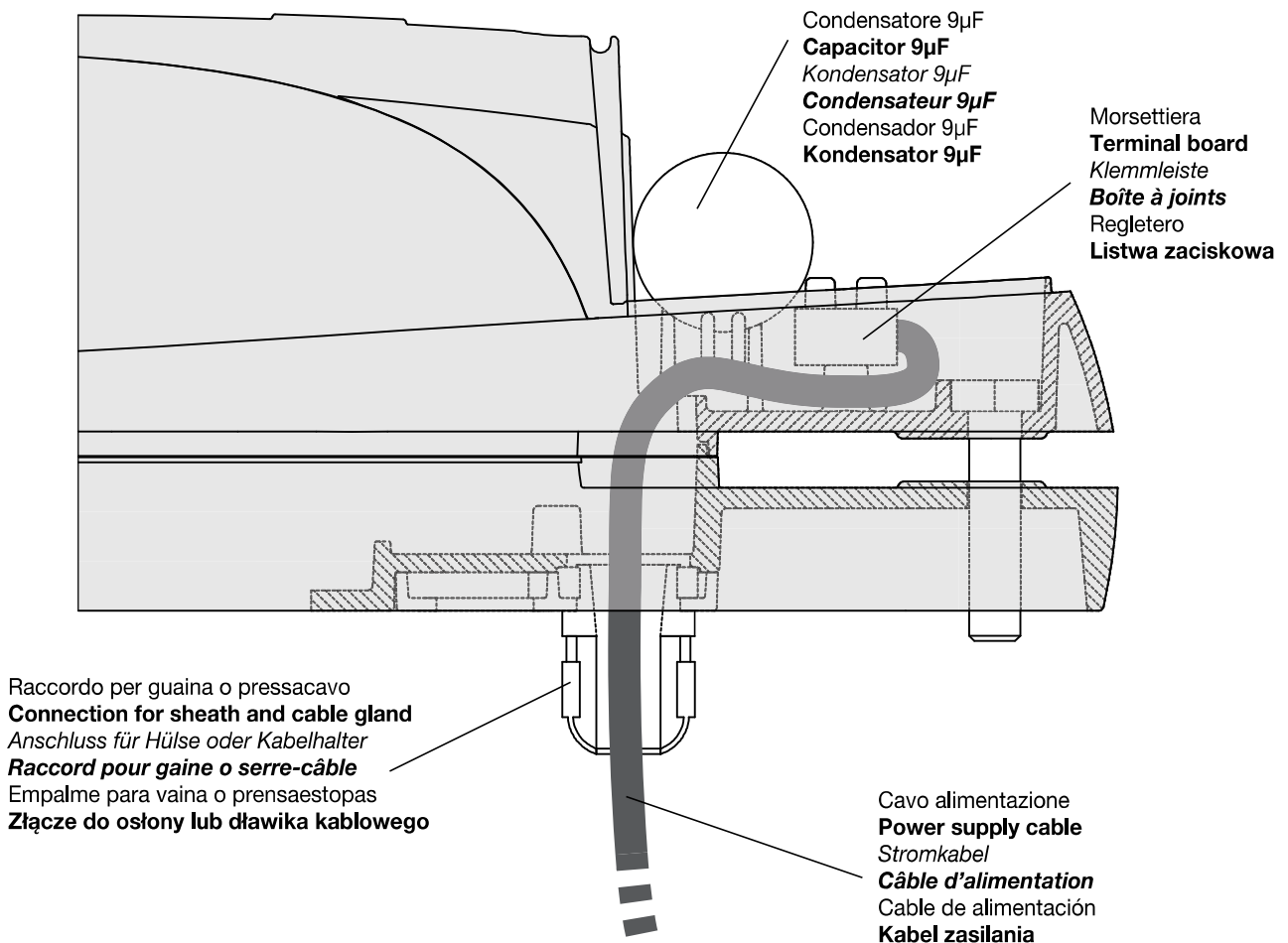
3

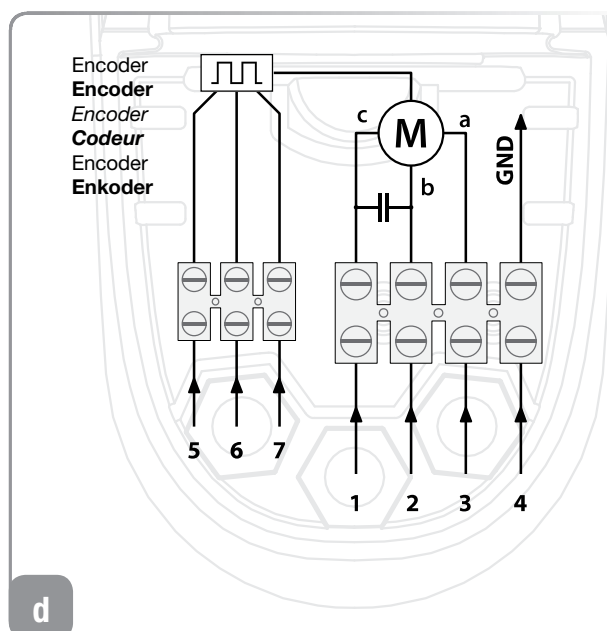
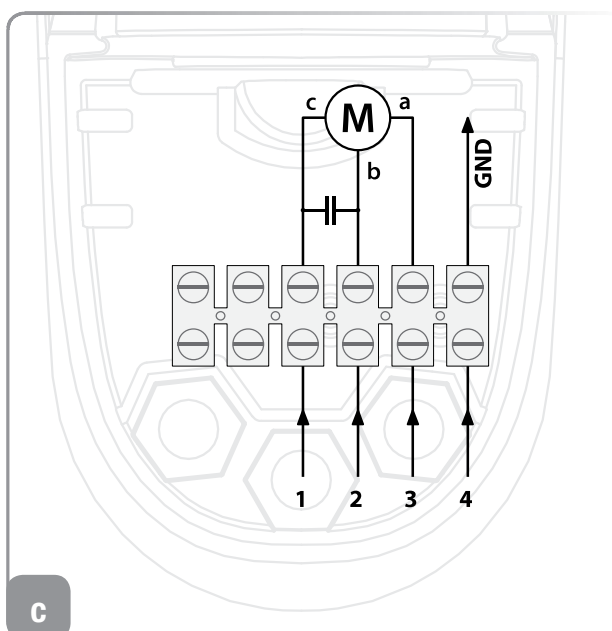
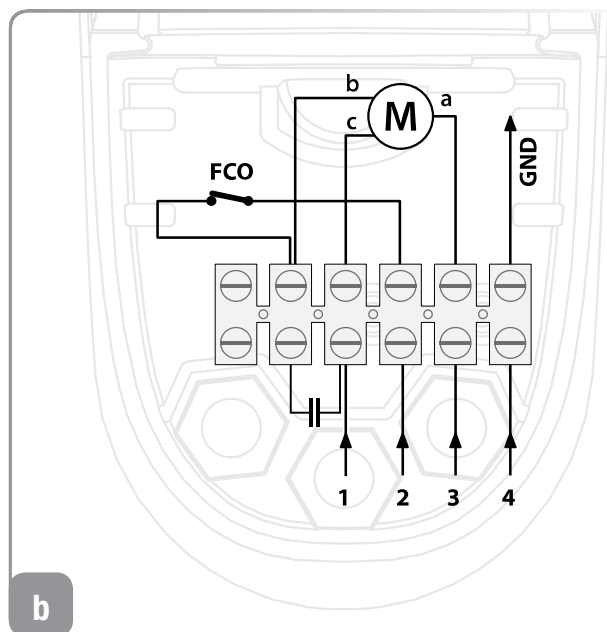
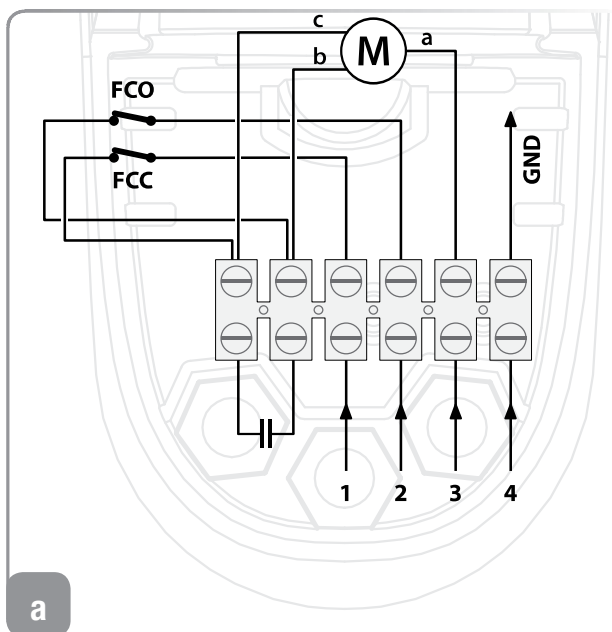


4

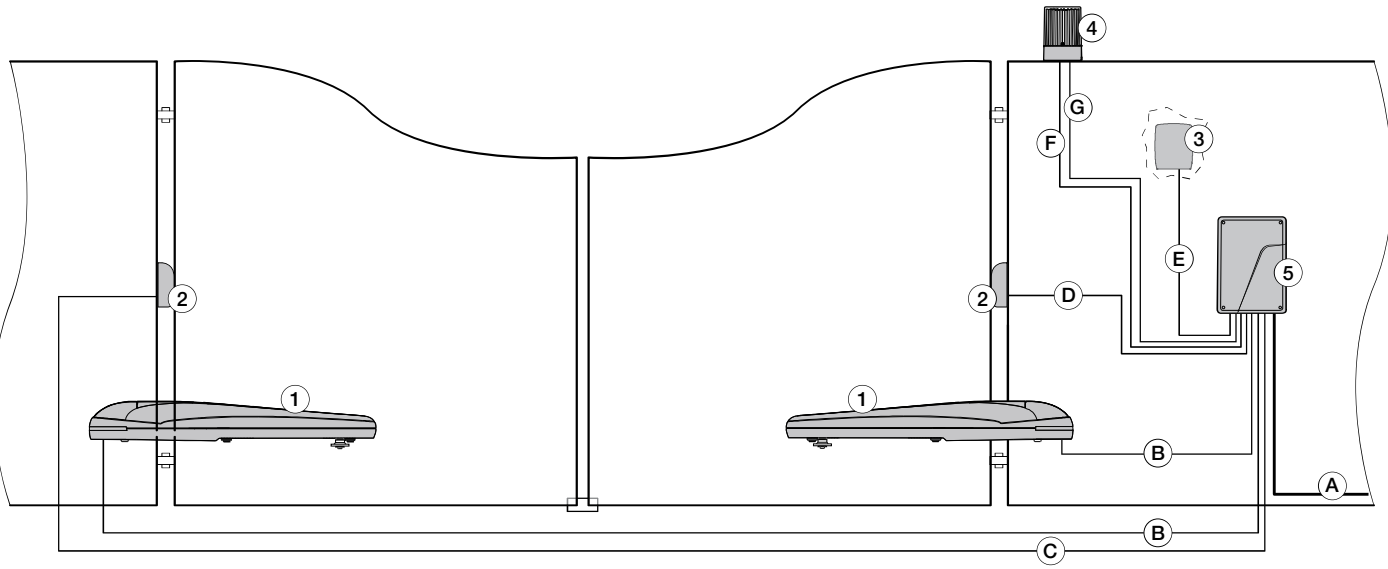


5





1	Chiude	Close	Schließen	Ferme	Cierra	Zamyka
2	Apri	Open	Öffnen	Ouvre	Abre	Otwiera
3	COM	COM	COM	COM	COM	COM
4	GND	GND	GND	GND	GND	GND
5	Segnale ENCODER Filo Verde	ENCODER signal Green wire	ENCODER-Signal Grün Leiter	Signal ENCODEUR Fil vert	Señal ENCODER Hilo verde	Sygnal ENKODERA Zielony przewód
6	Positivo ENCODER Filo Marrone	ENCODER positive Brown wire	ENCODER Pluspol Braun Leiter	Positif ENCODEUR Fil brun	Positivo ENCODER Hilo marrón	Dodatni ENKODERA Brązowy przewód
7	Negativo ENCODER Filo Bianco	ENCODER negative White wire	ENCODER Minuspol Weiß Leiter	Négatif ENCODER Fil blanc	Negativo ENCODER Hilo blanco	Ujemny ENKODERA Biały przewód
a	Filo nero	Black wire	Schwarzer Leiter	Fil noir	Hilo negro	Czarny przewód
b	Filo bianco	White wire	Weißer Leiter	Fil blanc	Hilo blanco	Biały przewód
c	Filo rosso	Red wire	Roter Leiter	Fil rouge	Hilo rojo	Czerwony przewód
FCC	Fincorsa CHIUDE	CLOSE limit switch	Endschalter SCHLIESSEN	Fin de course FERME	Final de carrera CIERRA	Ogranicznik ZAMYKA
FCO	Fincorsa APRI	OPEN limit switch	Endschalter ÖFFNEN	Fin de course OUVRE	Final de carrera ABRE	Ogranicznik OTWIERA





The product shall not be used for purposes or in ways other than those for which the product is intended for and as described in this manual. Incorrect uses can damage the product and cause injuries and damages. The company shall not be deemed responsible for the non-compliance with a good manufacture technique of gates as well as for any deformation, which might occur during use. Keep this manual for further use.



This manual has been especially written to be use by qualified fitters. Installation must be carried out by qualified personnel (professional installer, according to EN 12635), in compliance with Good Practice and current code. Make sure that the structure of the gate is suitable for automation. The installer must supply all information on the automatic, manual and emergency operation of the automatic system and supply the end user with instructions for use.



Packaging must be kept out of reach of children, as it can be hazardous. For disposal, packaging must be divided the various types of waste (e.g. carton board, polystyrene) in compliance with regulations in force.

Do not allow children to play with the fixed control devices of the product. Keep the remote controls out of reach of children. This product is not to be used by persons (including children) with reduced physical, sensory or mental capacity, or who are unfamiliar with such equipment, unless under the supervision of or following training by persons responsible for their safety. Apply all safety devices (photocells, safety edges, etc.) required to keep the area free of impact, crushing, dragging and shearing hazard.

Bear in mind the standards and directives in force, Good Practice criteria, intended use, the installation environment, the operating logic of the system and forces generated by the automated system.

Installation must be carried out using safety devices and controls that meet standards EN 12978 and EN 12453.

Only use original accessories and spare parts, use of non-original spare parts will cause the warranty planned to cover the products to become null and void.

All the mechanical and electrical parts composing automation must meet the requirements of the standards in force and outlined by CE marking.



An omnipolar switch/section switch with remote contact opening equal to, or higher than 3mm must be provided on the power supply mains.

Make sure that before wiring an adequate differential switch and an overcurrent protection is provided.

Pursuant to safety regulations in force, some types of installation require that the gate connection be earthed.

During installation, maintenance and repair, cut off power supply before accessing to live parts. Also disconnect buffer batteries, if any are connected.

The electrical installation and the operating logic must comply with the regulations in force.

The leads fed with different voltages must be physically separate, or they must be suitably insulated with additional insulation of at least 1 mm. The leads must be secured with an additional fixture near the terminals.

During installation, maintenance and repair, interrupt the power supply before opening the lid to access the electrical parts. Check all the connections again before switching on the power.

The unused N.C. inputs must be bridged.



WASTE DISPOSAL

As indicated by the symbol shown, it is forbidden to dispose this product as normal urban waste as some parts might be harmful for environment and human health, if they are disposed of incorrectly.

Therefore, the device should be disposed in special collection platforms or given back to the reseller if a new and similar device is purchased. An incorrect disposal of the device will result in fines applied to the user, as provided for by regulations in force.

Descriptions and figures in this manual are not binding. While leaving the essential characteristics of the product unchanged, the manufacturer reserves the right to modify the same under the technical, design or commercial point of view without necessarily update this manual.

1) DESTINATION OF USE

This product is destined exclusively for the opening and closure of swing doors for the passage of vehicles, characterised by dimensional limits and weight as indicated in this manual in the "Limits of use" paragraph.

No other use is allowed.

Automatismi Benincà is not liable for uses that are not in compliance with those indicated in these instructions.

2) LIMITS OF USE

Table 1 indicates the maximum values (weight by leaf length) acceptable for the BOB automation

3) INTRODUCTION

- Before installing the system, read the instruction herein.
- It is mandatory not to use the BOB 50M / BOB 50ME item for applications different from those indicated in the instructions herein.
- Supply the end user with instructions for using this system.
- The end user should receive special instruction manual.
- All Benincà items are covered by an insurance policy for damages and injuries caused by manufacture faults. It is however required that the machine bear the CE marking and original Benincà parts be used.

4) PRELIMINARY CHECKS

It is indispensable to carry out several checks before starting installation:

- Try and open the gate manually, the leaves must move without effort and without points of resistance for the entire run.
- When left in any intermediate position the leaf must not move.
- The hinges and components subject to wear must be in perfect working condition. If this is not the case, replace the faulty parts.
- The door structure must be strong and the leaves rigid.
- With the gate completely closed, check that the leaves are aligned perfectly along their entire length.
- The pillars supporting the leaves must be suitable for fixing the gear motors.
- BOB has adjustable mechanical stops both in opening and closing. However, a stop for closure on the ground is recommended.

The reliability and safety of the automation depend on the state of the gate structure.

Check that there is enough space for installation of the operator in safe and comfortable conditions.

5) HOW TO INSTALL THE AUTOMATIC SYSTEM

Calculate the height of the system from the ground (it is advisable to define a position as much centred as possible with respect to the main door and in correspondence with a strong cross girder). Weld the plate P, following measures in Fig. 1.

With the door closed, weld bracket S to a cross beam of the main door or other element with equal strength, according to measures shown in Fig. 1. Keep in mind that, when carrying out this operation, the actuator should not be totally in a stroke end position.

Remove the cover C by loosening the screw F. Then fix the actuator to the plate P by means of the screw T and the nut D (Fig. 2). Lock the actuator to plate S by means of screw V and washer R.

The holes in the actuator (Fig. 1a-1b) help to keep to the optimum installation measures.

6) HOW TO ADJUST THE MECHANICAL STOPPERS

The actuator is provided with adjustable mechanical stoppers in the opening and closing phases. The system is adjusted by suitably positioning the "Open" and "Close" mechanical locks, as shown hereunder (Fig.3):

- 1) Unlock the automatic system by using the special release lever, as shown in the instructions for the user (page 21-22).
- 2) Close the door/gate leaf.
- 3) Loosen screws V1 and move the "Close" lock until it reaches the pivot P, then tighten screws V1.
- 4) Open the door/gate leaf.
- 5) Loosen screws V2 and move the "Open" lock until it reaches the pivot P, then tighten screws V2.
- 6) Reset the automatic operating mode.

In the BOB 50M version, two limit micro-switches are provided fixed to the mechanical stoppers.

The micro-switches trigger slightly in advance with respect to the mechanical stop.

7) CONNECTIONS

- 1) The special plate P (Fig. 4) allows for using a link for sheath or cable gland PG11, or PG13,5. Once the type of cable gland is applied to the plate, fix the latter to the adaptor cover by means of screws V.
- 2) Insert the cable, or cables, under the terminal board, as shown in Fig.5. This will leave enough space for the capacitor.
- 3) **BOB 50M:** carry out the wiring by referring to the wire diagram shown in Fig 6a (use both limit switches). In order to use either the opening limit switch or the mechanical stoppers, change wiring as shown in Fig. 6b (opening limit switch only) or 6c (mechanical stoppers only).

N.B: in wiring connections shown in Fig. 6a and 6b, the capacitor **MUST NOT be connected to the control unit**, while for wire connection shown in Fig. 6c, the capacitor can be connected to the control unit.

- 4) **BOB 50ME:** carry out the wiring by referring to wire diagram shown in Fig 6d.
- 5) It is **mandatory** to provide for ground by using the special GND terminal.

8) ELECTRIC CONNECTIONS


The cables necessary for the installation of BOB can vary according to the accessories installed.

No connection cable is supplied.

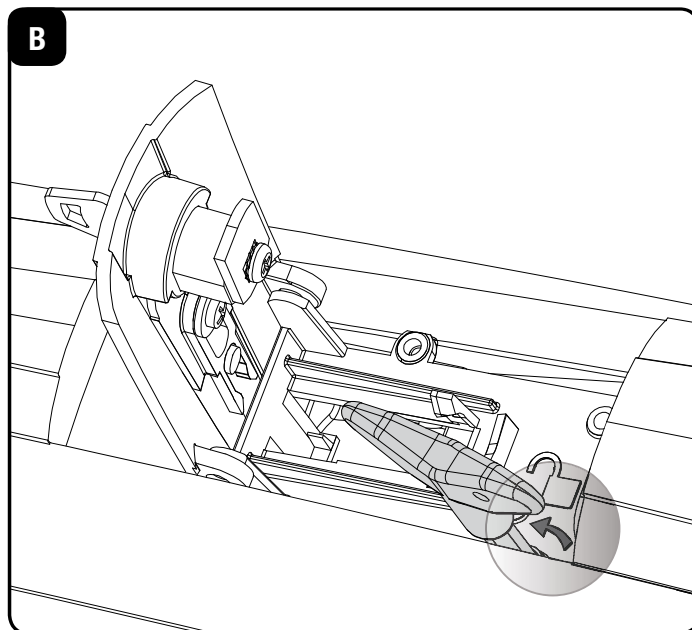
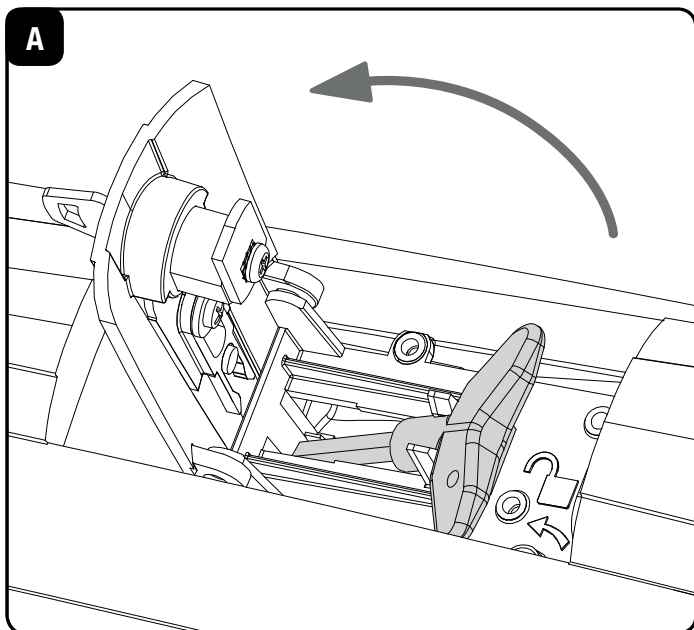
Fig. 7 indicates the cables for standard installation.

List of cables		
	Connection	Type
A	Mains power supply to the control unit	3x1,5mm ²
B	Motor connection	4x1,5mm ² (3x0,5mm ² BOB 30ME)
C	Photocell transmitter connection	2x1,0mm ²
D	Photocell receiver connection	4x1,0mm ²
E	Key selector connection for external command	2x1,0mm ²
F	Flashing signal light connection	2x1,5mm ²
G	Connection of the aerial built-in the flashing light	RG 58

Legenda	
1	Motoreducer
2	Photo-electric cells
3	Key selector (external) or digital keyboard
4	Flash-light
5	Electronic board

	The cables used must be suitable for the type of connection. For example, for connection protected by raceways use H03VV-F cables, for cables in the outdoor environment always use the H07RN-F type.
--	--

TECHNICAL DATA	BOB50M/BOB50ME
Power supply	230Vac 50/60Hz
Absorbed rating	310 W
Absorbed current	1,4 A
Thrust	3500 N
Jogging	30%
Protection degree	IP44
Operating temperature	-20°C / +50°C
Capacitor	9 µF
Door leaf max. weight	600 kg
Useful stroke: - with 2 mechanical stoppers - with 1 mechanical stopper - without mechanical stoppers	455 mm 485 mm 520 mm
Traversing speed	0,7 m/min
Noise level	<70 dB
Lubrication	Permanent grease
Weight	11,6 kg



ITALIANO

Norme di sicurezza

- Non sostare nella zona di movimento della porta.
- Non lasciare che i bambini giochino con i comandi o in prossimità delle ante.
- In caso di anomalie di funzionamento non tentare di riparare il guasto ma avvertire un tecnico specializzato.

Manovra manuale e d'emergenza

In caso di mancanza dell'energia elettrica o di guasto, per azionare manualmente le ante procedere come segue:

- aprire lo sportellino di protezione del meccanismo di sblocco (fig. A);
- Inserire la speciale chiave di sblocco fornita in dotazione e ruotarla di 90°, come indicato dalla freccia sul carter evidenziata in figura B;
- è ora possibile aprire/chiedere manualmente l'anta;
- per ripristinare il funzionamento automatico, riportare la chiave di sblocco nella posizione iniziale;
- rimuovere la leva di sblocco e richiudere lo sportellino di protezione.

Manutenzione

- Controllare periodicamente l'efficienza dello sblocco manuale di emergenza.
- Astenersi assolutamente dal tentativo di effettuare riparazioni, potreste incorrere in incidenti; per queste operazioni contattare un tecnico specializzato.
- L'attuatore non richiede manutenzioni ordinarie, tuttavia è necessario verificare periodicamente l'efficienza dei dispositivi di sicurezza e le altre parti dell'impianto che potrebbero creare pericoli in seguito ad usura.

Smaltimento

Come indicato dal simbolo a lato, è vietato gettare questo prodotto nei rifiuti domestici in quanto alcune parti che lo compongono potrebbero risultare nocive per l'ambiente e la salute umana, se smaltite scorrettamente. L'apparecchiatura, pertanto, dovrà essere consegnata in adeguati centri di raccolta differenziata, oppure riconsegnata al rivenditore al momento dell'acquisto di una nuova apparecchiatura equivalente. Lo smaltimento abusivo del prodotto da parte dell'utente comporta l'applicazione delle sanzioni amministrative previste dalla normativa vigente.



Attenzione

Tutti i prodotti Benincà sono coperti da polizza assicurativa che risponde di eventuali danni a cose o persone causati da difetti di fabbricazione, richiede però la marcatura CE della "macchina" e l'utilizzo di componenti originali Benincà.

ENGLISH

Safety rules

- Do not stand in the movement area of the door.
- Do not let children play with controls and near the door.
- Should operating faults occur, do not attempt to repair the fault but call a qualified technician.

Manual and emergency operation

In the event of power failure or fault, to manually open and close the door/gate, proceed as follows:

- open the protection door of the release device (Fig. A);
- introduce the special release key supplied and turn it by 90°, as shown by the arrow on the removable cover highlighted in Figure B;
- now the door can be opened/closed by hand;
- to reset the automatic operation, move the release key to the initial position;
- remove the release lever and close the protection door.

Maintenance

- Every month check the good operation of the emergency manual release.
- It is mandatory not to carry out extraordinary maintenance or repairs as accidents may be caused. These operations must be carried out by qualified personnel only.
- The operator is maintenance free but it is necessary to check periodically if the safety devices and the other components of the automation system work properly. Wear and tear of some components could cause dangers.

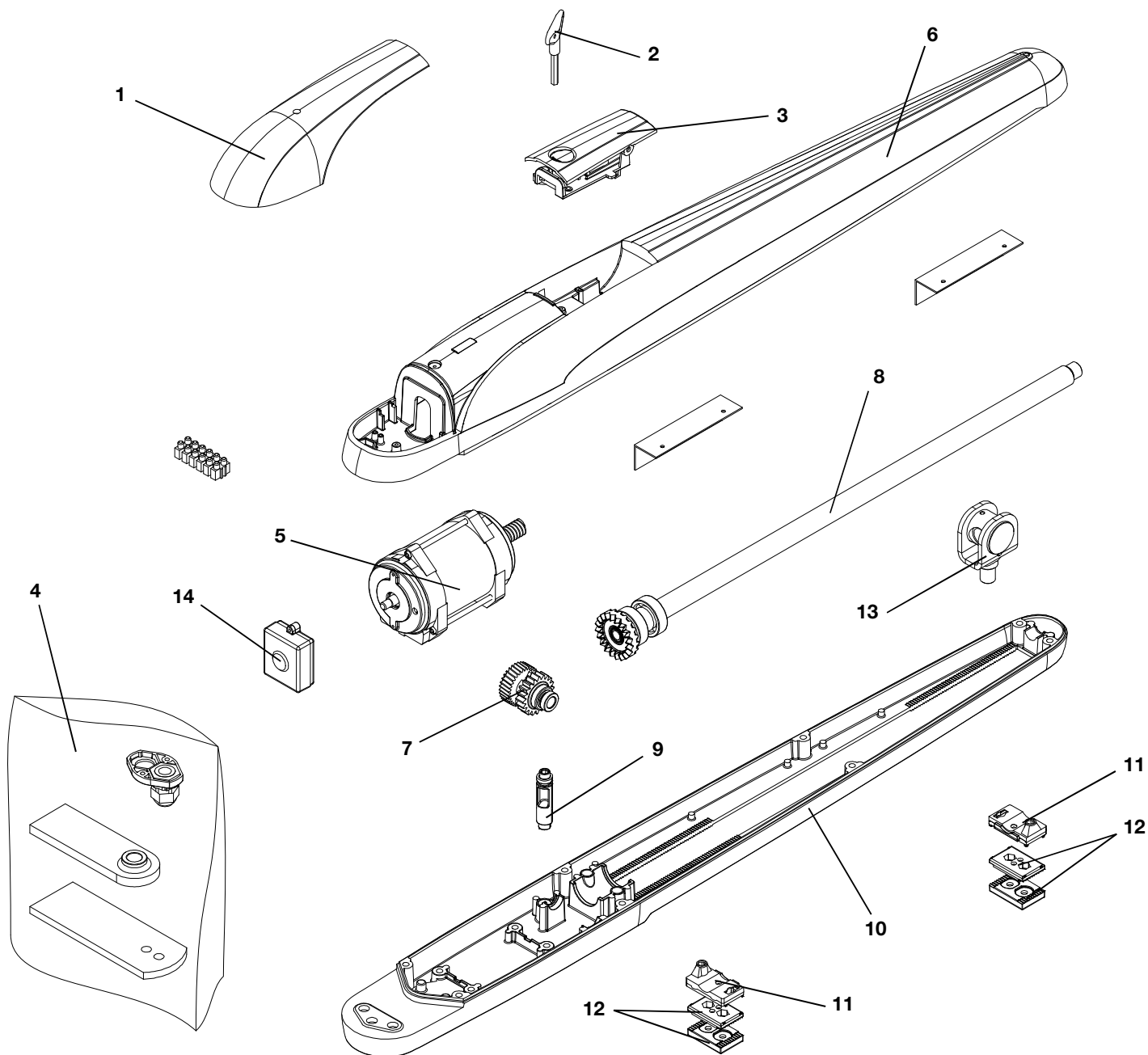
Waste disposal

As indicated by the symbol shown, it is forbidden to dispose this product as normal urban waste as some parts might be harmful for environment and human health, if they are disposed of incorrectly. Therefore, the device should be disposed in special collection platforms or given back to the reseller if a new and similar device is purchased. An incorrect disposal of the device will result in fines applied to the user, as provided for by regulations in force.



Warning

All Benincà products are covered by insurance policy for any possible damages to objects and persons caused by construction faults under condition that the entire system be marked CE and only Benincà parts be used.



n°	BOB50M / BOB50ME					Cod.	
	Denominazione - Description - Bezeichnung - Dénomination - Denominación - Określenie						
1	Copertura plastica	Plastic cover	<i>Plastikabdeckungen</i>	Couverture plast.	Cubierta de plástico	Obudowy Plastykowe	9686630
2	Leva di sblocco	Release lever	<i>Entriegelungshebel</i>	Levier de déblocage	Palanca de desbloq.	Dźwig. odblokowująca	9686631
3	Gruppo sblocco	Unblock. group	<i>Ent. Gruppe</i>	Déblocage	Desbloqueo	Zespół odblok.	9686632
4	Blisters	Blister	<i>Blister</i>	Blister	Blister	Blister	9686633
5	Motore	Motor	<i>Motor</i>	Moteur	Motor	Silnik	9688237
6	Carter superiore	Upper cover	<i>Gehäuse</i>	Carter	Cárter	Karter	9686635
7	Ingranaggio di riduzione	Gear	<i>Zahnrad</i>	Engrange	Engranaje	Koło zębate	9686636
8	Vite senza fine	Worm screw	<i>Welle</i>	Vis sans fin	Tornillo sin fin	Śruba dwustronna	9686637
9	Perno di sblocco	Lock with pin	<i>Entblockung</i>	Plaque avec pivot	Bloqueo	Chwytek blok.	9686638
10	Carter inferiore	Lower cover	<i>Gehäuse</i>	Carter	Cárter	Karter	9686639
11	Fincorsa (solo BOB 5M)	Limit stop (Only BOB 5M)	<i>Endschalter (Nur BOB 5M)</i>	Fin de course (Seulement BOB 5M)	Final de carrera (Sólo BOB 5M)	Krańcówka (Tylko BOB 5M)	9686640
12	Fermi meccanici	Locks	<i>Blöcke</i>	Blocages	Bloques	Blokady	9686641
13	Madrevite con forcella	Wormscrew supp.	<i>WelleStütze</i>	Support vis sans fin	Soporte tornillo sin fin	Zaczepek śruba dwustron.	9686642
14	Encoder (solo BOB 5ME)	Encoder (Only BOB 5ME)	<i>Encoder (Nur BOB 5ME)</i>	Encodeur (Seulement BOB 5ME)	Encoder (Sólo BOB 5ME)	Enkoder (Tylko BOB 5ME)	9686516

Dichiarazione di Conformità UE (DoC)

Nome del produttore: **Automatismi Benincà SpA** - Indirizzo: **Via Capitello, 45 - 36066 Sandrigo (VI) - Italia** - Telefono: **+39 0444 751030** - Indirizzo e-mail: **sales@beninca.it**

Persona autorizzata a costruire la documentazione tecnica: **Automatismi Benincà SpA**

Tipo di prodotto: **automazione per cancelli battenti** - Modello/Tipo: **BOB50M/BOB50ME** - Accessori: **N/A**

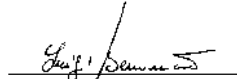
Il sottoscritto Luigi Benincà, in qualità di Responsabile Legale, dichiara sotto la propria responsabilità che il prodotto sopraindicato risulta conforme alle disposizioni imposte dalle seguenti direttive:

Direttiva 2014/30/UE del Parlamento europeo e del Consiglio, del 26 febbraio 2014, concernente l'armonizzazione delle legislazioni degli Stati membri relative alla compatibilità elettromagnetica (**EMCD**), secondo le seguenti norme armonizzate:
EN 61000-6-2:2005, EN 61000-6-3:2007 + A1:2011.

Direttiva 2014/35/EU DEL PARLAMENTO EUROPEO E DEL CONSIGLIO del 26 febbraio 2014 concernente l'armonizzazione delle legislazioni degli Stati membri relative alla messa a disposizione sul mercato del materiale elettrico destinato ad essere adoperato entro taluni limiti di tensione (**LVD**), secondo le seguenti norme armonizzate:
EN 60335-1:2012 + A11:2014; EN 60335-2-103:2015.

Direttiva 2011/65/UE del Parlamento europeo e del Consiglio, dell'8 giugno 2011, sulla restrizione dell'uso di determinate sostanze pericolose nelle apparecchiature elettriche ed elettroniche (**RoHS**), secondo le seguenti norme armonizzate:
EN 50581:2012

Benincà Luigi, Responsabile legale.
Sandrigo, 21/06/2016.



Il Certificato di Conformità di questo documento corrisponde all'ultima revisione disponibile al momento della stampa e può risultare differente per esigenze editoriali dall'originale disponibile presso il produttore.

Il Certificato di Conformità più completo e recente è disponibile consultando il sito: www.beninca.com oppure può essere richiesto presso: Automatismi Benincà S.p.A - Sandrigo VI - Italy.

UE Declaration of Conformity (DoC)

Manufacturer's name: **Automatismi Benincà SpA** - Address: **Via Capitello, 45 - 36066 Sandrigo (VI) - Italia** - Telephone: **+39 0444 751030** - Email address: **sales@beninca.it**
Person authorised to draft the technical documentation: **Automatismi Benincà SpA**

Product type: **operator for hinged gates** - Model/type: **BOB50M/BOB50ME** - Accessories: **N/A**

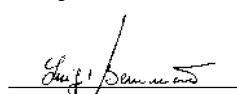
The undersigned Luigi Benincà, as the Legal Officer, declares under his liability that the aforementioned product complies with the provisions established by the following directives:

Directive 2014/30/UE OF THE EUROPEAN PARLIAMENT AND OF THE COUNCIL of 26 February 2014, on the harmonisation of the laws of Member States relating to electromagnetic compatibility, according to the following harmonised regulations:
EN 61000-6-2:2005, EN 61000-6-3:2007 + A1:2011.

Directive 2014/35/EU OF THE EUROPEAN PARLIAMENT AND OF THE COUNCIL of 26 February 2014, on the harmonisation of the laws of Member States relating to electrical equipment designed for use with certain voltage limits, according to the following harmonised regulations:
EN 60335-1:2012 + A11:2014; EN 60335-2-103:2015.

Directive 2011/65/EU of the European Parliament and Council, dated 8 June 2011, on the restricted use of certain hazardous substances in electrical and electronic devices (**RoHS**), according to the following standards:
EN 50581:2012

Benincà Luigi, Legal Officer.
Sandrigo, 21/06/2016.



The certificate of conformity in this document corresponds to the last review available at the time of printing and could differ for editorial requirements from the original available from the manufacturer.

The most recent and complete certificate of conformity is available consulting the site: www.beninca.com or can be requested from: Automatismi Benincà SpA - Sandrigo VI - ITALY.

EG-Konformitätserklärung (DoC)

Name des Herstellers: **Automatismi Benincà SpA** - Adresse: **Via Capitello, 45 - 36066 Sandrigo (VI) - Italia** - Telefon: **+39 0444 751030** - E-Mail-Adresse: **sales@beninca.it**
Zur Erstellung der technischen Dokumentation berechtigte Person: **Automatismi Benincà SpA**

Produkttypus: **Antriebe für Drehflügel Tore** - Modell/Typus: **BOB50M/BOB50ME** - Zubehör: **N/A**

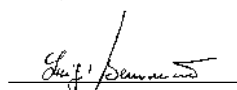
Der Unterzeichnete Luigi Benincà, in seiner Eigenschaft als Rechtsvertreter, erklärt eigenverantwortlich, dass das oben angegebene Produkt den durch die folgenden Richtlinien vorgegebene Bestimmungen entspricht:

Richtlinie 2014/30/UE DES EUROPÄISCHEN PARLAMENTS UND DES RATES vom 26. Februar 2014 zur Angleichung der Rechtsvorschriften der Mitgliedstaaten über die elektromagnetische Verträglichkeit, gemäß nachstehenden Normen:
EN 61000-6-2:2005, EN 61000-6-3:2007 + A1:2011.

Richtlinie 2014/35/EU DES EUROPÄISCHEN PARLAMENTS UND DES RATES vom 26. Februar 2014 zur Angleichung der Rechtsvorschriften der Mitgliedstaaten betreffend elektrische Betriebsmittel zur Verwendung innerhalb bestimmter Spannungsgrenzen, gemäß nachstehenden Normen:
EN 60335-1:2012 + A11:2014; EN 60335-2-103:2015.

Richtlinie 2011/65/EU des Europäischen Parlaments und des Rates vom 8. Juni 2011 zur Beschränkung der Verwendung bestimmter gefährlicher Stoffe in Elektro- und Elektronikgeräten (**RoHS**), gemäß den folgenden harmonisierten Normen:
EN 50581:2012

Benincà Luigi, Rechtsvertreter.
Sandrigo, 21/06/2016.



Die in diesem Dokument vorliegende Konformitätserklärung entspricht der neuesten zum Druckzeitpunkt erhältlichen Revision und könnte aufgrund von verlegerischen Gründen vom beim Hersteller erhältlichen Original abweichen.

Die neueste und vollständigste Konformitätserklärung ist auf der Internetseite: www.beninca.com erhältlich oder kann bei folgender Adresse angefordert werden: Automatismi Benincà SpA - Sandrigo VI - ITALY.

Déclaration CE de conformité (DoC)

Nom du producteur : **Automatismi Benincà SpA** - Adresse : **Via Capitello, 45 - 36066 Sandrigo (VI) - Italia** - Téléphone : **+39 0444 751030** - Adresse e-mail : **sales@beninca.it**
Personne autorisée à construire la documentation technique : **Automatismi Benincà SpA**

Type de produit : **automation pour portails ouvrants** - Modèle/Type: **BOB50M/BOB50ME** - Accessoires : **N/A**

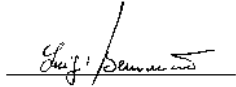
Le soussigné Luigi Benincà, en sa qualité de Représentant Légal, déclare sous sa propre responsabilité que le produit indiqué ci-dessus est conforme aux dispositions imposées par les directives suivantes:

Directive 2014/30/UE DU PARLEMENT EUROPÉEN ET DU CONSEIL du 26 février 2014 concernant le rapprochement des législations des États membres relatives à la compatibilité électromagnétique, selon les suivantes normes harmonisées:
EN 61000-6-2:2005, EN 61000-6-3:2007 + A1:2011.

Directive 2014/35/UE DU PARLEMENT EUROPÉEN ET DU CONSEIL du 26 février 2014 concernant le rapprochement des législations des États membres relatives au matériel électrique destiné à être employé dans certaines limites de tension, selon les suivantes normes harmonisées:
EN 60335-1:2012 + A11:2014; EN 60335-2-103:2015.

Directive 2011/65/UE du Parlement européen et du Conseil, du 8 juin 2011, sur la restriction à l'usage de substances dangereuses déterminées dans les appareils électriques et électroniques (**RoHS**), selon les normes harmonisées suivantes :
EN 50581:2012

Benincà Luigi, Représentant Légal.
Sandrigo, 21/06/2016.



Le certificat de conformité présent dans ce document correspond à la dernière révision disponible au moment de l'impression et pourrait différer pour des exigences éditoriales de l'original disponible chez le constructeur.

Le certificat de conformité le plus récent et complet est disponible en consultant le site : www.beninca.com ou peut être demandé à : Automatismi Benincà SpA - Sandrigo VI - ITALIE.

Declaración CE de conformidad (DoC)

Nombre del productor: **Automatismi Benincà SpA** - Dirección: **Via Capitello, 45 - 36066 Sandrigo (VI) - Italia** - Teléfono: **+39 0444 751030** - Dirección de correo electrónico: **sales@beninca.it**
Persona autorizada a producir la documentación técnica: **Automatismi Benincà SpA**

Tipo de producto: **automatización para cancelas de batiente** - Modelo/Tipo: **BOB50M/BOB50ME** - Accesorios: **N/A**

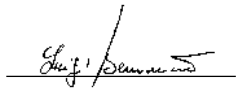
El infrascrito Luigi Benincà, en calidad de Representante Legal, declara bajo su responsabilidad que el producto anteriormente mencionado resulta en conformidad con las disposiciones establecidas por las siguientes directivas:

Directiva 2014/30/UE del parlamento europeo y del consejo del 26 de febrero de 2014 sobre la aproximación de las legislaciones de los Estados miembros con relación a la compatibilidad electromagnética, según las siguientes normas armonizadas:
EN 61000-6-2:2005, EN 61000-6-3:2007 + A1:2011.

Directiva 2014/35/UE DEL PARLAMENTO EUROPEO Y DEL CONSEJO del 26 de febrero de 2014 sobre la aproximación de las legislaciones de los Estados miembros con relación al material eléctrico destinado a ser utilizado dentro de determinados límites de tensión, según las siguientes normas armonizadas:
EN 60335-1:2012 + A11:2014; EN 60335-2-103:2015.

Directiva 2011/65/UE del Parlamento europeo e del Consejo, de 8 de junio de 2011, sobre restricciones a la utilización de determinadas sustancias peligrosas en aparatos eléctricos y electrónicos (**RoHS**), según las normas siguientes armonizadas:
EN 50581:2012

Benincà Luigi, Representante Legal.
Sandrigo, 21/06/2016.



El certificado de conformidad presente en este documento corresponde a la última revisión disponible en el momento de la impresión y podría diferir por exigencias editoriales del original disponible en la sede del fabricante.

El certificado de conformidad más reciente y completo está disponible consultando el sitio : www.beninca.com o se puede solicitar a : Automatismi Benincà SpA - Sandrigo VI - ITALY.

Deklaracja zgodności CE (DoC)

Nazwa producenta: **Automatismi Benincà SpA** - Adres: **Via Capitello, 45 - 36066 Sandrigo (VI) - Italia** - Telefon: **+39 0444 751030** - Adres e-mail: **sales@beninca.it**
Osoba upoważniona do stworzenia dokumentacji technicznej: **Automatismi Benincà SpA**

Rodzaj produktu: **Automatyzm do bram uchylnych** - Model/Typ: **BOB50M/BOB50ME** - Akcesoria: **N/A**

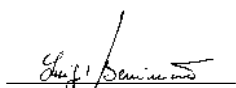
Niżej podpisany/a Luigi Benincà, jako Przedstawiciel prawny, deklaruje na własną odpowiedzialność, że wskazany produkt jest zgodny z rozporządzeniami następujących dyrektyw:

Dyrektywy 2014/30/WE rady I parlamentu europejskiego z dnia 26 luty 2014r. w sprawie zbliżania ustawodawstwa państw członkowskich w zakresie kompatybilności elektromagnetycznej, zgodnie z następującymi normami zharmonizowanymi:
EN 61000-6-2:2005, EN 61000-6-3:2007 + A1:2011.

Dyrektywy 2014/35/WE RADY I PARLAMENTU EUROPEJSKIEGO z dnia 26 luty 2014r. w sprawie zbliżania ustawodawstwa państw członkowskich w zakresie bezpieczeństwa sprzętu elektrycznego o określonych granicach napięcia, zgodnie z następującymi normami zharmonizowanymi:
EN 60335-1:2012 + A11:2014; EN 60335-2-103:2015.

Dyrektywa 2011/65/WE Parlamentu Europejskiego i Rady z 8 czerwca 2011 r. w sprawie ograniczenia stosowania niektórych niebezpiecznych substancji w sprzęcie elektrycznym i elektronicznym (**RoHS**), zgodnie z poniższymi normami zharmonizowanymi:
EN 50581:2012

Benincà Luigi, Przedstawiciel prawny.
Sandrigo, 21/06/2016.



Certyfikat zgodności znajdujący się w niniejszym dokumencie odpowiada ostatniej aktualizacji dostępnej w momencie wydruku i może się różnić ze względów wydawniczych od oryginału dostępnego u producenta.

Najbardziej aktualny i kompletny certyfikat zgodności jest dostępny na stronie : www.beninca.com lub można się po niego zwrócić do : Automatismi Benincà SpA - Sandrigo VI - WŁOCHY.

BENINCA®

AUTOMATISMI BENINCA SpA - Via Capitello, 45 - 36066 Sandrigo (VI) - Tel. 0444 751030 r.a. - Fax 0444 759728
